

## Arista 40G Cabling and Transceivers: Q&A

### 40Gigabit Cables and Transceivers

#### Q. What 40G cables and transceivers are available from Arista?

A. Arista supports a full range of both copper cables and optical transceivers for 40GbE, compliant to the IEEE standards. For copper both QSFP+ to QSFP+ (40G to 40G) and QSFP+ to SFP+ (40G to 4x10G) cables enable short reach options. For longer distances Arista offers a wide range of optical transceivers for various fiber types and reach requirements.

Product Number	Product Description
<b>40GbE Transceivers</b>	
QSFP-40G-SR4	40GBASE-SR4 QSFP+ transceiver, up to 100m over parallel OM3 or 150m over OM4 multi-mode fiber
QSFP-40G-XSR4	40GBASE-XSR4 QSFP+ transceiver, up to 300m over parallel OM3 or 400m over OM4 multi-mode fiber
QSFP-40G-SRBD	40GBASE-BIDI Bidirectional QSFP+ Optic, up to 100m over duplex OM3 or 150m over duplex OM4 multi-mode fiber
QSFP-40G-UNIV	40G Universal QSFP+ transceiver, up to 150m over duplex OM3 or OM4 fiber, 500m over duplex single-mode fiber
QSFP-40G-PLRL4	40G QSFP+ optic, up to 1km over parallel SMF (4x10G LR up to 1km) MTP-12
QSFP-40G-PLR4	40G QSFP+ optic, up to 10km over parallel SMF (4x10G LR up to 10km) MTP-12
QSFP-40G-LRL4	40GBASE-LR4 QSFP+ transceiver, up to 1km over single-mode fiber
QSFP-40G-LR4	40GBASE-LR4 QSFP+ transceiver, up to 10km over single-mode fiber
<b>4 x 10GbE QSFP+ to 4 x SFP+ Twinax Copper Cables</b>	
CAB-Q-S-0.5M	4 x 10GbE QSFP+ to 4 x SFP+ twinax copper cable, 0.5M
CAB-Q-S-1M	4 x 10GbE QSFP+ to 4 x SFP+ twinax copper cable, 1M
CAB-Q-S-2M	4 x 10GbE QSFP+ to 4 x SFP+ twinax copper cable, 2M
CAB-Q-S-3M	4 x 10GbE QSFP+ to 4 x SFP+ twinax copper cable, 3M
CAB-Q-S-5M	4 x 10GbE QSFP+ to 4 x SFP+ twinax copper cable, 5M
<b>40GbE QSFP+ to QSFP+ Twinax Copper Cables</b>	
CAB-Q-Q-0.5M	40GbE QSFP+ to QSFP+ twinax copper cable, 0.5M
CAB-Q-Q-1M	40GbE QSFP+ to QSFP+ twinax copper cable, 1M
CAB-Q-Q-2M	40GbE QSFP+ to QSFP+ twinax copper cable, 2M
CAB-Q-Q-3M	40GbE QSFP+ to QSFP+ twinax copper cable, 3M
CAB-Q-Q-5M	40GbE QSFP+ to QSFP+ twinax copper cable, 5M
<b>40GbE QSFP+ to QSFP+ Active Optical Cables</b>	
AOC-Q-Q-40G-3M	QSFP+ to QSFP+ 40GbE Active Optical Cable 3 meter
AOC-Q-Q-40G-5M	QSFP+ to QSFP+ 40GbE Active Optical Cable 5 meter
AOC-Q-Q-40G-7M	QSFP+ to QSFP+ 40GbE Active Optical Cable 7 meter
AOC-Q-Q-40G-10M	QSFP+ to QSFP+ 40GbE Active Optical Cable 10 meter
AOC-Q-Q-40G-15M	QSFP+ to QSFP+ 40GbE Active Optical Cable 15 meter
AOC-Q-Q-40G-20M	QSFP+ to QSFP+ 40GbE Active Optical Cable 20 meter
AOC-Q-Q-40G-25M	QSFP+ to QSFP+ 40GbE Active Optical Cable 25 meter
AOC-Q-Q-40G-30M	QSFP+ to QSFP+ 40GbE Active Optical Cable 30 meter
AOC-Q-Q-40G-50M	QSFP+ to QSFP+ 40GbE Active Optical Cable 50 meter
AOC-Q-Q-40G-75M	QSFP+ to QSFP+ 40GbE Active Optical Cable 75 meter

AOC-Q-Q-40G-100M	QSFP+ to QSFP+ 40GbE Active Optical Cable 100 meter
------------------	---

*Additional optics and cables may be released in future.*

### **Q. What is the 40GbE max supported distances?**

A. The IEEE 40GBASE-X standard describes the following:

- 40GBASE-SR4 supports up to 100m on OM3, and 150m on OM4. There is no support for OM2 or OM1 (these are considered legacy).
- 40GBASE-LR4 supports up to 10km on 9u SM fiber (same fiber used for 10G single mode 10GBASE-LR).
- 40GBASE-CR4 supports up to 7m. The maximum is a limitation of the copper technology, and may not be realistic in all environments. Arista only supports up to 5m.
- 40GBASE-KR4 specifies up to 1m for backplane technology - this is not applicable to Arista switches and is designed for server blade systems running 40GbE over a backplane

### **Q. What is the 40GbE XSR4 max supported distances?**

A. The Arista extended reach SR4 (XSR4) supports distances compatible with 10GBASE-SR, up to 300m on OM3 and 400m on OM4. The 40G XSR4 is also capable of running as 4x10G, with full compatibility with 10G-SR and 10G-SRL transceivers. Operation in 4x10G mode will require either a fiber breakout cable, or a QSFP-LC cassette. See below for details.

### **Q. What is the 40G UNIV distance capability?**

A. The Arista 40G Universal QSFP (UNIV) transceiver works with both duplex multi-mode and duplex single mode fiber. It supports distances up to 150m over OM3 or OM4 multi-mode fiber and up to 500m over single mode fiber. For more details visit

[https://www.arista.com/assets/data/pdf/Whitepapers/QSFP\\_40G\\_UNIV\\_FAQ.pdf](https://www.arista.com/assets/data/pdf/Whitepapers/QSFP_40G_UNIV_FAQ.pdf)

### **Q. What is the 40GbE PLRL4 distance capability?**

A. The Arista parallel LR4 Lite (PLRL4) supports distances compatible with 10GBASE-LRL, which is 1km on single mode fiber. In addition the PLRL4 optic can support 4 individual 10G-LR connections using a 4x10G mode and fiber breakout cables or cassettes for single mode fiber.

### **Q. What is the 40GbE PLR4 distance capability?**

A. The Arista parallel LR4 (PLR4) supports distances compatible with 10GBASE-LR and 10GBASE-LRL, which is 10km (or 1km) on single mode fiber. In addition the PLR4 optic can support 4 individual 10G-LR connections using a 4x10G mode and fiber breakout cables or cassettes for single mode fiber.

### **Q. What cable type is needed for the PLRL4 and PLR4 transceivers?**

A. The PLR4 and PLRL4 use an MTP-12 connector, and require an APC (Angle polished connector) single-mode MTP-12 cable. The cable is equivalent to the 40G-SR4 MTP to MTP, with

the only change being the use of single mode fiber. UPC (Ultra polished connector) is another type of connector for MTP-12 cables but this does not exist in the market for single-mode fiber. APC is the only available choice for single-mode MTP-12 fiber.

**Q. Does Arista offer a 40G 'BIDI' transceiver?**

A. Yes, The QSFP-40G-SRBD is a BIDI transceiver that interoperates with third party 40G BIDI transceivers over standard OM3 or OM4 duplex multimode fiber. Each optical port of the SRBD module contains both a transmitter and receiver, running at full duplex 20Gb/s over a single fiber. The two optical ports of the QSFP-40G-SRBD provide an aggregate data rate of 40Gb/s. The QSFP-40G-SRBD can be used for links of 100m over duplex OM3 or 150m over duplex OM4 multimode fiber.

**Q. Can a customer use third party QSFP+ to QSFP+ and SFP+ cables?**

A. Arista does not restrict the use of third party copper cables. These cables need to comply with the IEEE specifications, to allow them to be correctly recognized by the Arista switch. Interfaces with cables not recognized correctly will be disabled.

**Q. What is the minimum bend radius of the 40G copper cables?**

A. The QSFP-SFP (4-way) CR4 cables have a stated minimum bend radius of 32.35mm (1.27") to ensure they are not damaged. The QSFP-QSFP cables have a stated minimum bend radius of 45mm (1.77") to ensure they are not damaged.

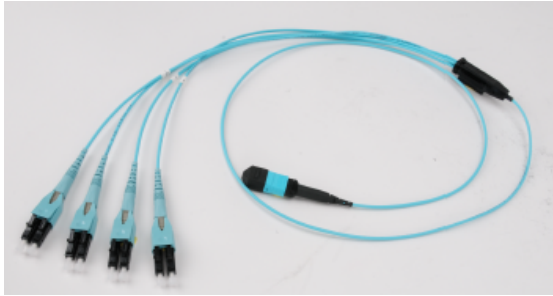
*[QSFP-QSFP cables are thicker than the QSFP-SFP ones and need more space.]*

**Q. How does the QSFP+ to SFP+ fiber convertor allow 4x 10G?**

A. The IEEE 40G-SR4 standard specified a parallel technology, with 4 lanes in each direction. The purpose of this was to allow for easier development of 40G, re-using 10G components. As a side result the 40G multi-mode transceivers can also support 4x10G modes. (The switch or router also has to support this in both the hardware and software). A fiber that connects from one 40G port to four 10G ports provides a physical path to allow the source "40G" port running in 4x10G mode to be connected to 4 unique 10G destinations. As the fiber is a passive medium it has no concept of the 40G or 10G signals.

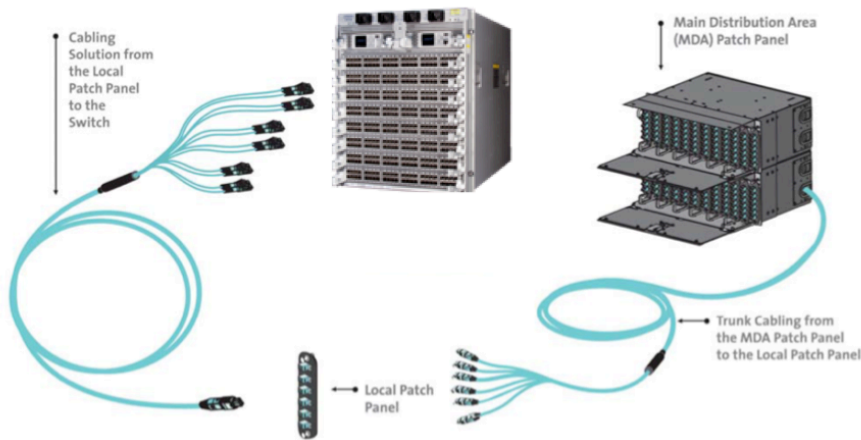
**Q. Where does a customer buy the special splitter cables?**

A. First, this is not really a special cable - it is an MTP-LC cable as shown below. This product is an 8f assembly with the polarity of the fibers in a specific order in order to provide the correct orientation of the fibers into the channels:

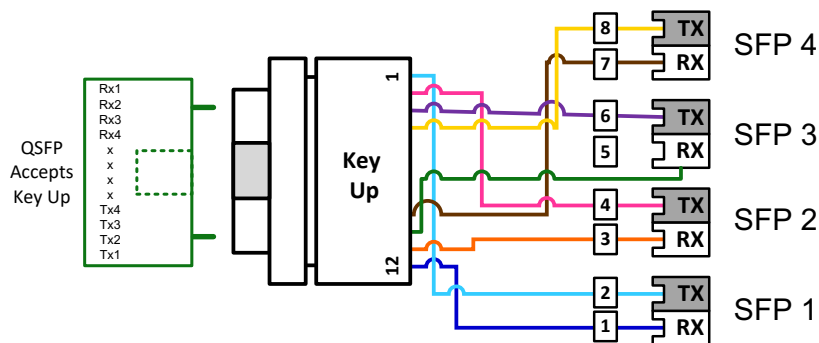


A large number of cabling companies have the MTP-LC cables available and are supplying these in volume to customers. However, these are usually a special order, as the total cable length, tail lengths and cable polarity are customer selectable. As a result these are commonly considered as “special” but are in fact standard cables, custom ordered.

In many existing DC environments LC-MTP cables are used to support high density fiber trunks between switches, rack patch panels and main distribution cabling panels (MDA) as shown below:



An example cable diagram from Corning is shown below for an MTP12-4xLC harness assembly with a set of part numbers in the table below.



Corning Part Number	Description
H757908QPH-KB010F	8-fiber harness; MTP (F) to (4) LC uniboot; Type-B polarity; OM4 and 50/125; 24-in. LC breakout and overall length of 10 ft
H757908QPH-KB020F	8-fiber harness; MTP (F) to (4) LC uniboot; Type-B polarity; OM4 and 50/125; 24-in. LC breakout and overall length of 20 ft
H757908QPH-KB030F	8-fiber harness; MTP (F) to (4) LC uniboot; Type-B polarity; OM4 and 50/125; 24-in. LC breakout and overall length of 30 ft

The application for the above MTP-LC harness cable is to directly connect a QSFP+ port to (4) SFP+ ports. For most Data Center applications, the use of structured cabling is employed via MTP-MTP trunks and the use of patch panels. For more detailed guidance on the applicable harness configuration and part number needed, please refer to the following document for more detailed information:

[http://csmedia.corning.com/CableSystems//Resource\\_Documents/application\\_engineering\\_notes\\_rl/AEN152.pdf](http://csmedia.corning.com/CableSystems//Resource_Documents/application_engineering_notes_rl/AEN152.pdf)

### Q. What is the specification for the MTP-LC cable?

A. According to the IEEE 40GBASE-SR4 specifications, the 40G signal is carried over a single MTP-12 fiber, with only 8 of the 12 fibers used, where the remaining four are not used, and can optionally be not present in the cable (to save cost). The specific mapping of Tx and Rx ports to fiber strands is defined in the standard, with 1-4, and 9-12 used as shown below. This would be an MTP-12 to an MTP-12.

Fiber Number	12	11	10	9	8-5	4	3	2	1
Transmit Channels:	1	2	3	4	Blank				
Receive Channels:					Blank	4	3	2	1

To specify a cable that converts a 40G interface to 4 x 10G pairs the MTP-12 fibers are mapped according to the 40G-SR4 specifications, identifying that Tx1 and Rx1 are mapped as Pair-1, Tx2 and Rx2 as Pair 2, and continue for all 4 pairs.

There are two different options for the cable to split MTP into LC - a straight through, or a crossover, to support different connections needs.

To make sure that Tx is wired to Rx on the other end (a cross-over cable) the table below shows both the MTP strand color and position number, the LC leg / side and color.

MTP Strand Color	MTP Position #	LC Leg / Side	LC Strand Color
Blue	1	1/B	Blue
Orange	2	2/B	Orange
Green	3	3/B	Green

Brown	4	4/B	Brown
Slate	5	NA	Slate
White	6	NA	White
Red	7	NA	Red
Black	8	NA	Black
Yellow	9	4/A	Yellow
Violet	10	3/A	Violet
Rose	11	2/A	Rose
Aqua	12	1/A	Aqua

If a “straight through” cable is required (as a X-over is already present in the path), then the above table should be modified, such that 1<->1A, 12<->1B and so on, etc.

### Q. What is the specification for the QSFP+ to QSFP+ cable?

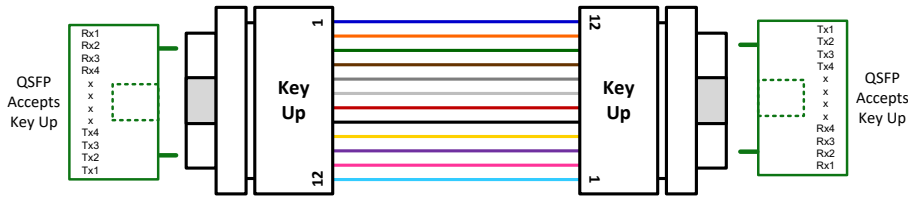
A regular MTP-12 to MTP-12 cable as shown below is also used for direct 40G to 40G connections.



At the MTP ends there are 12 fibers (an MTP-12), and two guide pins (or sockets), which can be seen in the photograph below.



To directly connect two QSFP+ ports, the 12-fiber assembly uses a pinless MTP connector on both ends to interface with the QSFP+ ports on the switch (the pins are in the transceiver port). The example diagram below shows how fiber 1 (blue fiber) is in position 1 on one end and in position 12 on the other end. This positioning is required for transmit and receive to connect. The part numbers for this configuration are in the table below.



Corning Part Number	Description
J757512QE8-NB010F	12-fiber jumper; MTP (F) to MTP (F); Type- B Polarity; OM4 50/125; overall length of 10 ft
J757512QE8-NB020F	12-fiber jumper; MTP (F) to MTP (F); Type- B Polarity; OM4 50/125; overall length of 20 ft
J757512QE8-NB030F	12-fiber jumper; MTP (F) to MTP (F); Type- B Polarity; OM4 50/125; overall length of 30 ft

The application for the above MTP-MTP jumper cable is to directly connect a QSFP+ port to QSFP+ port. For most Data Center applications, the use of structure cabling is employed via MTP-MTP trunks and the use of patch panels. For more detailed guidance on the applicable MTP jumper configuration and part number needed, please refer to the following document for more detailed information. Additional detail is included in the below document on solutions that enable increased fiber utilization:

[http://csmedia.corning.com/CableSystems//Resource\\_Documents/application\\_engineering\\_notes\\_rl/AEN151.pdf](http://csmedia.corning.com/CableSystems//Resource_Documents/application_engineering_notes_rl/AEN151.pdf)

### Q. Where else can the MTP-12 and MTP-24 cables be purchased?

To enable customers to rapidly test and implement a whole variety of 40G and 100G interfaces a range of fiber cables can be ordered from multiple Arista partners. These cables come in a choice of 3m (12') and 5m (15'), which addresses the most common lengths needed for small installations or when doing product evaluation and testing. Both single mode and multi-mode (OM4) are also available to match the wide range of 10G, 40G and 100G duplex and parallel technologies that are supported via Arista QSFP+ and MXP interfaces. The following table provides a reference to the cables available. The detailed specifications of each cable are available from the respective partner company

Description	Wave2Wave Part Number	Corning Part Number	Leviton Part Number
OM4 MTP24 to MTP24 - Direct connect for port to port (swaps the Tx and the Rx rows), 5m	50P-8240P-5M	JA6A624QPH-NA005M	544JJ-B005M
OM4 MTP24 to 3x MTP12 - Direct connect for 1x MTP SR12 to 3 QSFP+ SR4, 5m	50P-8240P-5M-M3	HA67524QPH-KA005M	FH-FH024JM1624A120
OM4 MTP24 to 12x LC - Direct connect for 1x MTP SR12 to 12 SFP+ SR, 5m	51PU-8240P-5M	NA	FH-FH024JR1624K
OM4 MTP24 to MTP24 - Port to trunk, non-pinned to pinned, 5m	50FMP-D8240P-5M	JA6A724QPH-NA005M	544JH-B005M
OM4 MTP24 to 2x MTP12 - Port to 2x12 fiber trunks, non-pinned to pinned, 5m	50FMP-8240P-5M-M2	HA69324QPH-LZ005M	FH-FH024JK1624BC



OM4 MTP12 to MTP12 - Direct connect for port to port (8 fiber cross over), 5m	50P-8080P-5M	JE6E608QE8-NB005M	548MM-B005M
OM4 MTP12 to MTP12 - Port to trunk, non-pinned to pinned (8 fiber), 5m	50FMP-8080P-5M	JE5E608QE8-NB005M	548MN-B005M
OM4 MTP12 to 4 LC - Direct connect for 1x QSFP+ SR4 to 4 SFP+ SR, 5m	51PU-8080P-5M	HE67908QPH-KB005M	FH-FH008MR1624K
SM MTP12 to MTP12 - Direct connect for port to port (12 fiber cross over), 5m	50P-B3082P-5M	JE8E808GE8-NB005M	UP2LL-B005M
SM MTP12 to MTP12 - Port to trunk, non-pinned to pinned (8 fiber), 5m	50FMP-B3082P-5M	JE7E808GE8-NB005M	UP8MN-B005M
SM MTP12 to 4 LC - Direct connect for 1x QSFP+ PLRL4 to 4 SFP+ LR, 5m	51PU-3084P-5M	HE87808GPH-KB005M	FH-AH008MR1624K
OM4 MTP24 to MTP24 - Direct connect for port to port (swaps the Tx and the Rx rows), 3m	50P-8240P-3M	JA6A624QPH-NA003M	544JJ-B003M
OM4 MTP24 to 3x MTP12 - Direct connect for 1x MTP SR12 to 3 QSFP+ SR4, 3m	50P-8240P-3M-M3	HA67524QPH-KA003M	FH-FH024JM1024A120
OM4 MTP24 to 12x LC - Direct connect for 1x MTP SR12 to 12 SFP+ SR, 3m	51PU-8240P-3M	NA	FH-FH024JR1024K
OM4 MTP24 to MTP24 - Port to trunk, non-pinned to pinned, 3m	50FMP-D8240P-3M	JA6A724QPH-NA003M	544JH-B003M
OM4 MTP24 to 2x MTP12 - Port to 2x12 fiber trunks, non-pinned to pinned, 3m	50FMP-8240P-3M-M2	HA69324QPH-LZ003M	FH-FH024JK1024BC
OM4 MTP12 to MTP12 - Direct connect for port to port (12 fiber cross over), 3m	50P-8080P-3M	JE6E608QE8-NB003M	548LL-B003M
OM4 MTP12 to MTP12 - Port to trunk, non-pinned to pinned (8 fiber), 3m	50FMP-8080-3M	JE5E608QE8-NB003M	548MN-B003M
OM4 MTP12 to 4 LC - Direct connect for 1x QSFP+ SR4 to 4 SFP+ SR, 3m	51PU-8080P-3M	HE67908QPH-KB003M	FH-FH008MR1024K
SM MTP12 to MTP12 - Direct connect for port to port (12 fiber cross over), 3m	50P-B3082P-3M	JE8E808GE8-NB003M	UP2LL-B003M
SM MTP12 to MTP12 - Port to trunk, non-pinned to pinned (8 fiber), 3m	50FMP-B3082P-3M	JE7E808GE8-NB003M	UP8MN-B003M
SM MTP12 to 4 LC - Direct connect for 1x QSFP+ PLRL4 to 4 SFP+ LR, 3m	51PU-3084P-3M	HE87808GPH-KB003M	FH-AH008MR1024K

Sales Contact information:

Wave2Wave: arista@wave-2-wave.com

Corning: inquiries@corning.com

Leviton: customerservice@leviton.com

### Q. What other options are available apart from break-out cables?

Using an MTP-LC fan-out with an MTP-12 at one end, a 40G interface can be adapted from one port of 40G into 4x10G and uses the same cabling to convert multiple 10G links into a single cable.

In addition to using a fan-out cable, there are also a number of cabling system solutions that use a “cassette” style system to break out the MTP into individual LC pairs (as below - (1) MTP-12 into (6)



LC pairs). For more information on various deployment methods for these cassettes in a QSFP+ to SFP+ deployment, refer to the following document:

[http://csmedia.corning.com/CableSystems//Resource Documents/application\\_engineering\\_notes\\_rl/AEN152.pdf](http://csmedia.corning.com/CableSystems//Resource Documents/application_engineering_notes_rl/AEN152.pdf)



An additional solution for deployment of 40G (QSFP+) channels with increased fiber utilization is to use an MTP to MTP cassette system that converts 12-fiber MTPs to 8-fiber MTPs, as shown below. The above document provides guidance and detailed information on this deployment method as well.



### **Q. Can the 40G-LR4 transceiver also be split into 4x10G connections?**

A. No, 40G-LR4 cannot be split into 4x10G. The 40GBASE-LR4 uses 4 lambdas (or wavelengths) on a pair of single mode fibers, and does not lend itself to “splitting” into 4 pairs without substantial complexity to split out the wavelengths. The unique characteristic of 40GBASE-SR4 is that it uses parallel (ribbon) fiber, which allows the creation of 4 fiber pairs.

As an alternative single mode parallel 40G optics are available (40G-PLRL4 and 40G-PLR4) that do allow for splitting into 4x10G (single mode). Each of these optics is fully compatible with 10GBASE-LR and 10G-LRL up to the maximum distance of each optic, and use single mode MTP-12 ribbon fibers.

### Arista 40GbE Product Configuration:

#### Q. How do you change the QSFP+ ports to support 10G or 40G mode?

A. On all Arista switches with 40GbE ports the QSFP+ ports can support 4x10G or 1x40G on any port (independently configurable).

By default the QSFP+ ports are setup as 4x10G as below:

Et52/1	notconnect	1		full	10G Not Present
Et52/2	notconnect	1		full	10G Not Present
Et52/3	notconnect	1		full	10G Not Present
Et52/4	notconnect	1	evi	full	10G Not Present

To configure them for 1x40G mode use the command:

```
(config)#int et 52/1
(config-if-Et52/1-4)#speed forced 40gfull
```

You may see warnings if the transceivers are missing.

! Warning: Transceiver for interface Et52/1 is not present. Cannot verify compatibility of speed and duplex settings.  
 ! Warning: Transceiver for interface Et52/2 is not present. Cannot verify compatibility of speed and duplex settings.  
 ! Warning: Transceiver for interface Et52/3 is not present. Cannot verify compatibility of speed and duplex settings.  
 ! Warning: Transceiver for interface Et52/4 is not present. Cannot verify compatibility of speed and duplex settings.

The output of show commands will now reflect 40G as a speed.

Et52/1	notconnect	1		full	40G Not Present
Et52/2	notconnect	1		full	40G Not Present
Et52/3	notconnect	1		full	40G Not Present
Et52/4	notconnect	1		full	40G Not Present

Inserting a suitable 40G transceiver or cable will bring the ports up in the “40G” mode. The other end will be another 40G device.

To configure the port for 4x10G mode reset it to the default and let it negotiate at 10G

```
(config-if-Et52/1-4)#no speed
```

Next, use the same optics with a splitter cable, and a 10G SFP+ (SR or SRL) at the other end.

Alternatively using copper cables and swap the QSFP-QSFP for a QSFP-4SFP+.

*NOTE: In 4.7.x releases this required a platform command:*

```
switch(config)#platform trident qsfm mode 40G
```

After this command the interfaces need to be shut/no shut.

In EOS version 4.8 and later the command was deprecated.

### **Q. How are the 7050Q shared QSFP+ ports changed to the SFP+ ports?**

A. By default the Arista 7050Q has the 8 SFP+ ports disabled, and they must be enabled before being used. There is a hardware command to activate the SFP+ ports, and disable the associated QSFP+ ports.

SFP+ Ports 17-20 are associated with QSFP+ port 15/1-4

SFP+ Ports 21-24 are associated with QSFP+ port 16/1-4

The command to configure the mode:

```
(config)#hardware port-group 1|2 select qsfp|sfp
```

To activate Eth17-24 you need:

```
(config)#hardware port-group 1 select Et15/1-4 | Et17-20
```

To activate Eth21-24 you need:

```
(config)#hardware port-group 2 select Et16/1-4 | Et21-24
```

Using this command will restart the forwarding agent, which will cause all links in these port groups to flap. Proceed with caution if in a production environment.

Using the QSFP+ ports, with a transceiver for 4x10G mode requires the same command as for the 7050-64 switches to enable 4x10G mode on the uplinks.