



CORNING

40G, 100G, and 400G Cabling Reference Guide

ARISTA

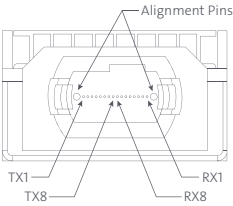
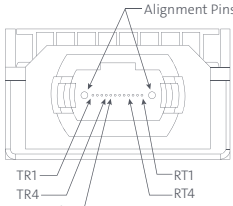
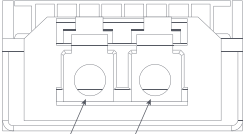
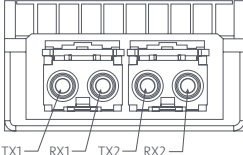
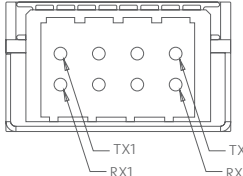
This document will serve as a guide to select the best Corning Optical Communications bill-of-materials (BOM) for your structured cabling application (scenario).

Arista transceiver connector types:

This cabling guide provides the component information necessary to work with 40G, 100G, and 400G transceivers and breakout options within the same rack or row and across the data center scenarios. Arista optical transceiver modules have different connector types (see Arista Transceiver and Cable Guide).

With the introduction of 400G, new form factors have been released, including multimode 16-F MPO angled and single-mode CS[®] and SN[®] connectors. Corning's EDGE8[®] solution is designed to support both single-mode and multimode optical interfaces based on the use of two, eight, and 16 fibers.

The following is a partial list of Arista transceivers by connector type:

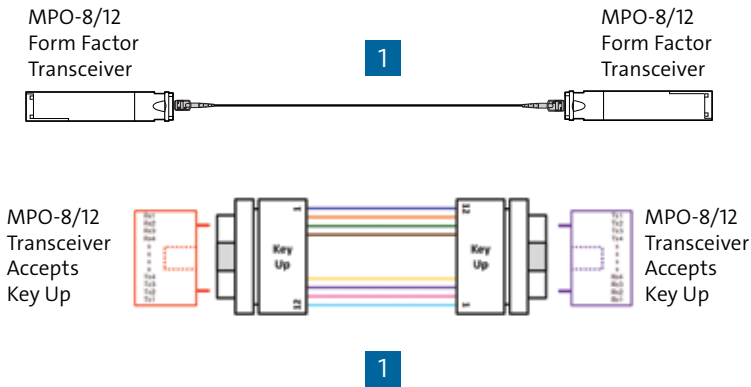
MPO-16 Angled	MPO-8/12	LC Duplex	CS	SN
Multimode: OSFP-400G-SR8 QDD-400G-SR8	Single-Mode: OSFP-400G-DR4 QDD-400G-DR4 QSFP-100G-PSM4 QSFP-40G-PLR4 Multimode: QSFP-100G-SR4 QSFP-40G-SR4	Single-Mode: OSFP-400G-FR4 QDD-400G-FR4 QSFP-100G-CWDM4 QSFP-100G-LR4 QSFP-100G-ERL4 QSFP-100G-DR QSFP-100G-FR QSFP-100G-LR QSFP-40G-LR4 QSFP-40G-ER4 SFP-25G-LR SFP-10G-LR SFP-10G-ER SFP-10G-ZR SFP-10G-DWDM Multimode: QSFP-100G-SRBD QSFP-100G-SWDM4 QSFP-40G-SRBD QSFP-40G-UNIV SFP-25G-SR SFP-10G-SR	Single-mode: OSFP-400G-2FR4	Single-mode: OSFP-400G-XDR4-S QDD-400G-XDR4-S OSFP-400G-PLR4-S QDD-400G-PLR4-S
				

Note: Single-mode fiber type: Corning[®] SMF-28[®] Ultra Optical Fiber
 Multimode fiber type: Corning[®] ClearCurve[®] OM4

To review a more comprehensive list of transceiver breakout options, please refer to each cabling scenario or visit arista.com

Scenario 1:

MPO-8/12 to MPO-8/12 Local



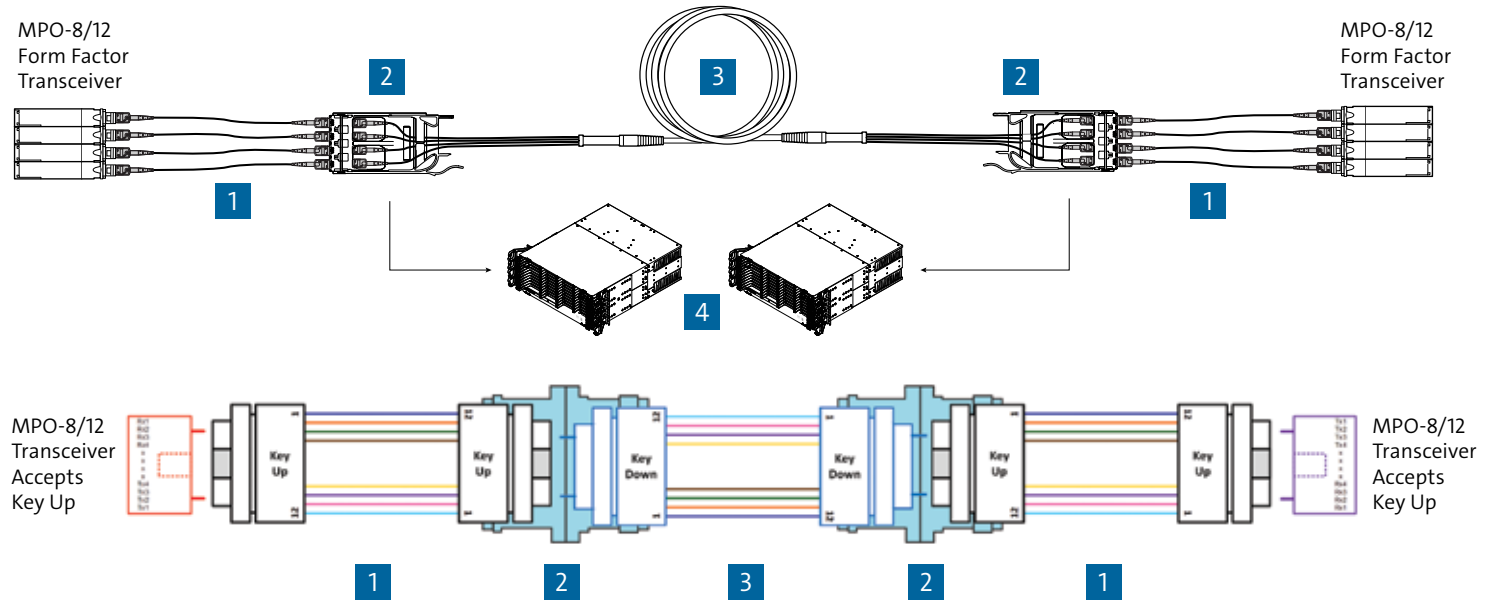
Near End Optic (Left)			Far End Optic (Right)			Reach
	OSFP-400G-DR4	single-mode		OSFP-400G-DR4	single-mode	500 m
	OSFP-400G-XDR4	single-mode		OSFP-400G-XDR4	single-mode	2 km
	QDD-400G-DR4	single-mode		QDD-400G-DR4	single-mode	500 m
	QDD-400G-XDR4	single-mode		QDD-400G-XDR4	single-mode	2 km
	QSFP-100G-PSM4	single-mode		QSFP-100G-PSM4	single-mode	500 m
	QSFP-40G-PLRL4	single-mode		QSFP-40G-PLRL4	single-mode	1 km
	QSFP-40G-PLR4	single-mode		QSFP-40G-PLR4	single-mode	10 km
	QSFP-100G-SR4	multimode		QSFP-100G-SR4	multimode	100 m
	QSFP-100G-XSR4	multimode		QSFP-100G-XSR4	multimode	300 m
	QSFP-40G-SR4	multimode		QSFP-40G-SR4	multimode	150 m
	QSFP-40G-XSR4	multimode		QSFP-40G-XSR4	multimode	400 m

Item	OS2 Part Number (Americas)	OS2 Part Number (EMEA and APJ)	OM4 Part Number (Americas)	OM4 Part Number (EMEA and APJ)	Description
1	JE8E808GE8-NBxxxF	JE8E808GEZ-NBxxXM	JE6E608QE8-NBxxxF	JE6E608QEZ-NBxxXM	EDGE8®, 8-F Jumper, MTP® (unpinned) to MTP® (unpinned), Type-B polarity, xxxF (feet) or xxXM (meters)

Note: Americas uses plenum cable and EMEA/APJ uses LSZH™/CPR Rated cable. Lengths in meters are also available for the Americas.

Scenario 2:

MPO-8/12 to MPO-8/12 Across DC with Trunk



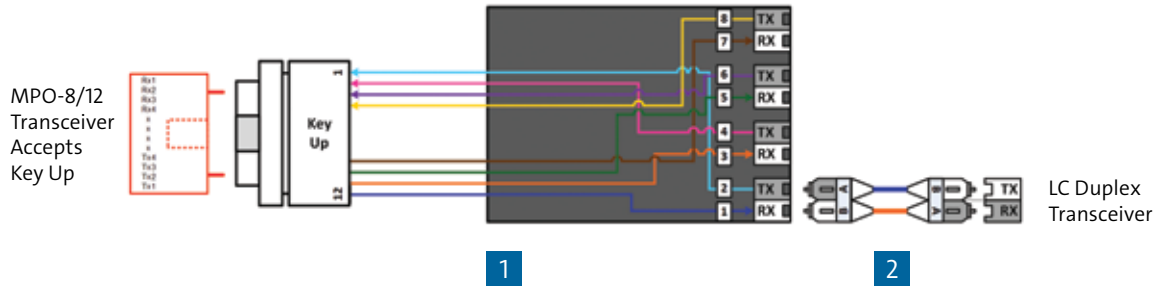
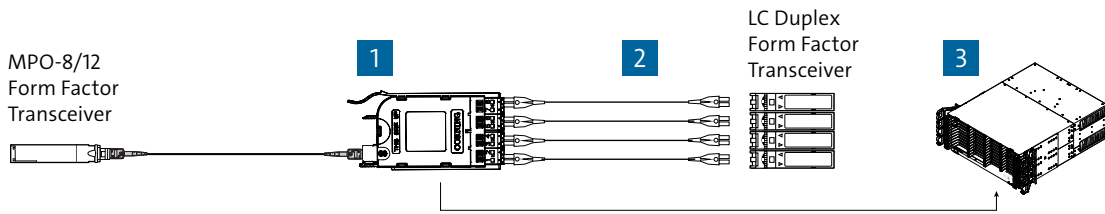
Near End Optic (Left)		Far End Optic (Right)		Reach		
	OSFP-400G-DR4	single-mode		OSFP-400G-DR4	single-mode	500 m
	OSFP-400G-XDR4	single-mode		OSFP-400G-XDR4	single-mode	2 km
	QDD-400G-DR4	single-mode		QDD-400G-DR4	single-mode	500 m
	QDD-400G-XDR4	single-mode		QDD-400G-XDR4	single-mode	2 km
	QSFP-100G-PSM4	single-mode		QSFP-100G-PSM4	single-mode	500 m
	QSFP-40G-PLRL4	single-mode		QSFP-40G-PLRL4	single-mode	1 km
	QSFP-40G-PLR4	single-mode		QSFP-40G-PLR4	single-mode	10 km
	QSFP-100G-SR4	multimode		QSFP-100G-SR4	multimode	100 m
	QSFP-100G-XSR4	multimode		QSFP-100G-XSR4	multimode	300 m
	QSFP-40G-SR4	multimode		QSFP-40G-SR4	multimode	150 m
QSFP-40G-XSR4	multimode	QSFP-40G-XSR4	multimode	400 m		

Item	OS2 Part Number (Americas)	OS2 Part Number (EMEA and APJ)	OM4 Part Number (Americas)	OM4 Part Number (EMEA and APJ)	Description
1	JE8E808GE8-NBxxxF	JE8E808GEZ-NBxxxM	JE6E608QE8-NBxxxF	JE6E608QEZ-NBxxxM	EDGE8 [®] , MTP [®] (non-pinned) to MTP (non-pinned) 8-F Jumper, TIA-568 Type-B polarity, xxxF (feet) or xxxM (meters)
2	EDGE8-CP32-V1	EDGE8-CP32-V1	EDGE8-CP32-V3	EDGE8-CP32-V3	EDGE8 32-F MTP Adapter Panel, (4-port)
3	GE7E732GPNDUxxxF*	GE7E732GLZDDUxxxM*	GE5E532QPNDUxxxF*	GE5E532QLZDDUxxxM*	EDGE8, MTP Trunk, 32 F, MTP (pinned) to MTP (pinned), 33-in (840-mm) legs, Type-B polarity, pulling grip on first end only, xxxF (feet) or xxxM (meters)
4	EDGE8-xxU	EDGE8-xxU	EDGE8-xxU	EDGE8-xxU	Please refer to Annex 1 to choose the best option for your application

Note: Americas uses plenum cable and EMEA/APJ uses LSZH[™]/CPR Rated cable.
 *Trunks are available in fiber counts of 8 to 288 fibers or higher.
 Lengths in meters are also available for the Americas.

Scenario 3:

MPO-8/12 to LC Duplex Local



Near End Optic (Left)		Far End Optic (Right)		Reach		
	OSFP-400G-DR4	single-mode		4x QSFP-100G-DR	single-mode	500 m
	OSFP-400G-XDR4	single-mode		4x QSFP-100G-FR	single-mode	2 km
	QDD-400G-DR4	single-mode		4x QSFP-100G-DR	single-mode	500 m
	QDD-400G-XDR4	single-mode		4x QSFP-100G-FR	single-mode	2 km
	QSFP-100G-PSM4	single-mode		4x SFP-25G-LR	single-mode	500 m
	QSFP-40G-PLRL4	single-mode		4x SFP-10G-LRL	single-mode	1 km
	QSFP-40G-PLR4	single-mode		4x SFP-10G-LR	single-mode	10 km
	QSFP-100G-SR4	multimode		4x SFP-25G-SR	multimode	100 m
	QSFP-100G-XSR4	multimode		4x SFP-25G-SR	multimode	100 m
	QSFP-40G-SR4	multimode		4x SFP-10G-SR	multimode	150 m
	QSFP-40G-XSR4	multimode		4x SFP-10G-SR	multimode	150 m

Item	OS2 Part Number (Americas)	OS2 Part Number (EMEA and APJ)	OM4 Part Number (Americas)	OM4 Part Number (EMEA and APJ)	Description
1	ECM8-04E8-GE8B-xxxF*	ECM8-04E8-GEZB-xxxM*	ECM8-05E6-QE8B-xxxF*	ECM8-05E6-QEZB-xxxM	EDGE8 [®] Port Breakout Module, LC Duplex to MTP [®] (unpinned), 8 F, universal polarity, xxxF (feet) or xxxM (meters)*
2	787802GD120xxxF	E787802GNZ20xxxM	797902QD120xxxF	E797902QNZ20xxxM	EDGE [™] LC Uniboot to LC Uniboot Duplex Jumper, 2.0 mm cable, xxxF (feet) or xxxM (meters)
3	EDGE8-xxU	EDGE8-xxU	EDGE8-xxU	EDGE8-xxU	Please refer to Annex 1 to choose the best option for your application

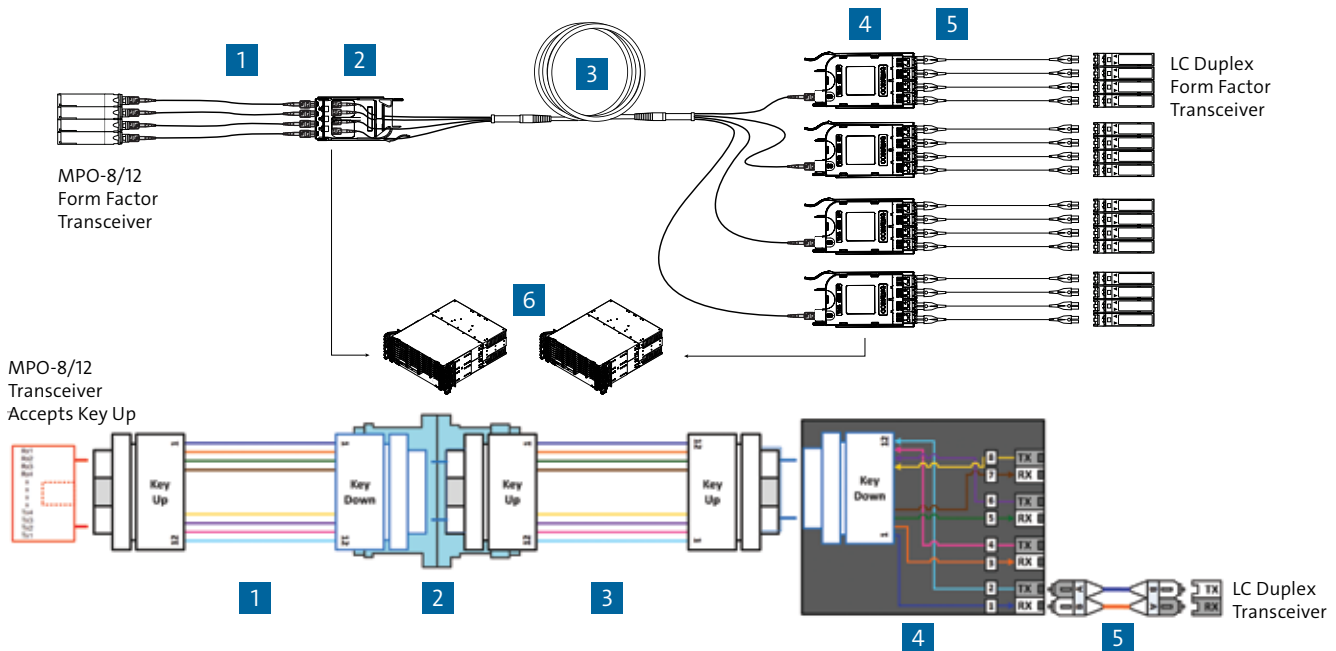
Note: Americas uses plenum/riser cable and EMEA/APJ uses LSZH[™]/CPR Rated cable.

*The EDGE8 port breakout module has a tail length of maximum 75 ft (25 m).

Lengths in meters are also available for the Americas.

Scenario 4:

MPO-8/12 to LC Duplex Across DC with Trunk



Near End Optic (Left)			Far End Optic (Right)			Reach
	OSFP-400G-DR4	single-mode		4x QSFP-100G-DR	single-mode	500 m
	OSFP-400G-XDR4	single-mode		4x QSFP-100G-FR	single-mode	2 km
	QDD-400G-DR4	single-mode		4x QSFP-100G-DR	single-mode	500 m
	QDD-400G-XDR4	single-mode		4x QSFP-100G-FR	single-mode	2 km
	QSFP-100G-PSM4	single-mode		4x SFP-25G-LR	single-mode	500 m
	QSFP-40G-PLRL4	single-mode		4x SFP-10G-LRL	single-mode	1 km
	QSFP-40G-PLR4	single-mode		4x SFP-10G-LR	single-mode	10 km
	QSFP-100G-SR4	multimode		4x SFP-25G-SR	multimode	100 m
	QSFP-100G-XSR4	multimode		4x SFP-25G-SR	multimode	100 m
	QSFP-40G-SR4	multimode		4x SFP-10G-SR	multimode	150m
	QSFP-40G-XSR4	multimode		4x SFP-10G-SR	multimode	150m

Item	OS2 Part Number (Americas)	OS2 Part Number (EMEA and APJ)	OM4 Part Number (Americas)	OM4 Part Number (EMEA and APJ)	Description
1	JE8E808GE8-NAxxxF	JE8E808GEZ-NAxxxM	JE6E608QE8-NAxxxF	JE6E608QEZ-NAxxxM	EDGE8™, 8-F Jumper, MTP® (unpinned) to MTP (unpinned), Type-A polarity, xxxF (feet) or xxxM (meters)
2	EDGE8-CP32-V1	EDGE8-CP32-V1	EDGE8-CP32-V3	EDGE8-CP32-V3	EDGE8 4-Port MTP Connector Panel
3	GE7E732GPNDUxxxF*	GE7E732GLZDDUxxxM*	GE5E532QPNDUxxxF*	GE5E532QLZDDUxxxM*	EDGE8, MTP Trunk, 32 F, MTP (pinned) to MTP (pinned), 33-in (840-mm) legs, Type-B polarity, pulling grip on first end only, xxxF (feet) or xxxM (meters)
4	ECM8-UM08-04-E8G-ULL	ECM8-UM08-04-E8G-ULL	ECM8-UM08-05-E6Q-ULL	ECM8-UM08-05-E6Q-ULL	EDGE8 Ultra-Low-Loss Module, LC Duplex to MTP (unpinned), 8 F, universal polarity
5	787802GD120xxxF	E787802GNZ20xxxM	797902QD120xxxF	E797902QNZ20xxxM	EDGE™ LC Uniboot to LC Uniboot Duplex Jumper, 2.0 mm cable, xxxF (feet) or xxxM (meters)
6	EDGE8-xxU	EDGE8-xxU	EDGE8-xxU	EDGE8-xxU	Please refer to Annex 1 to choose the best option for your application

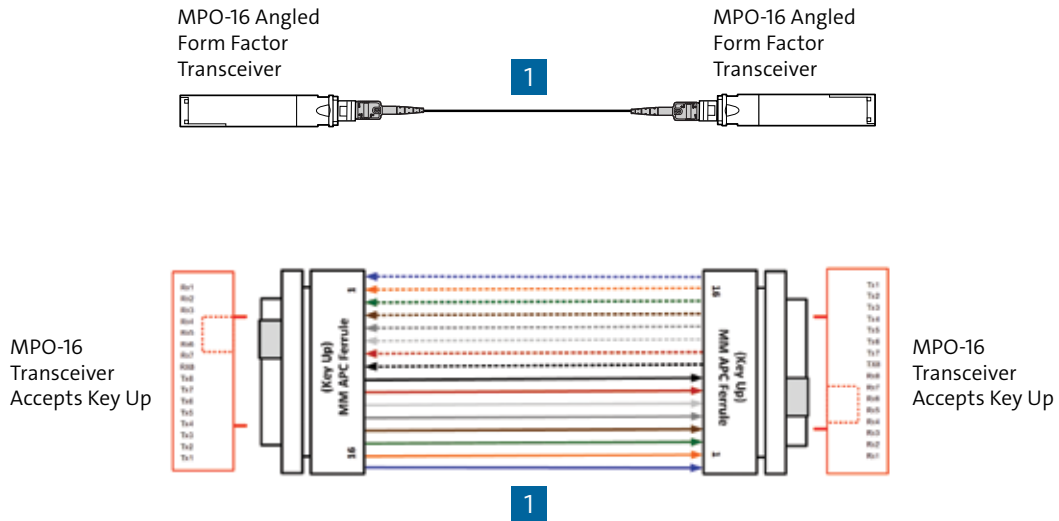
Note: Americas uses plenum/riser cable and EMEA/APJ uses LSZH™/CPR Rated cable.

*Trunks available in fiber counts of 8 to 288 fibers or higher.

Lengths in meters are also available for the Americas.

Scenario 5:

MPO-16 Angled to MPO-16 Angled Local



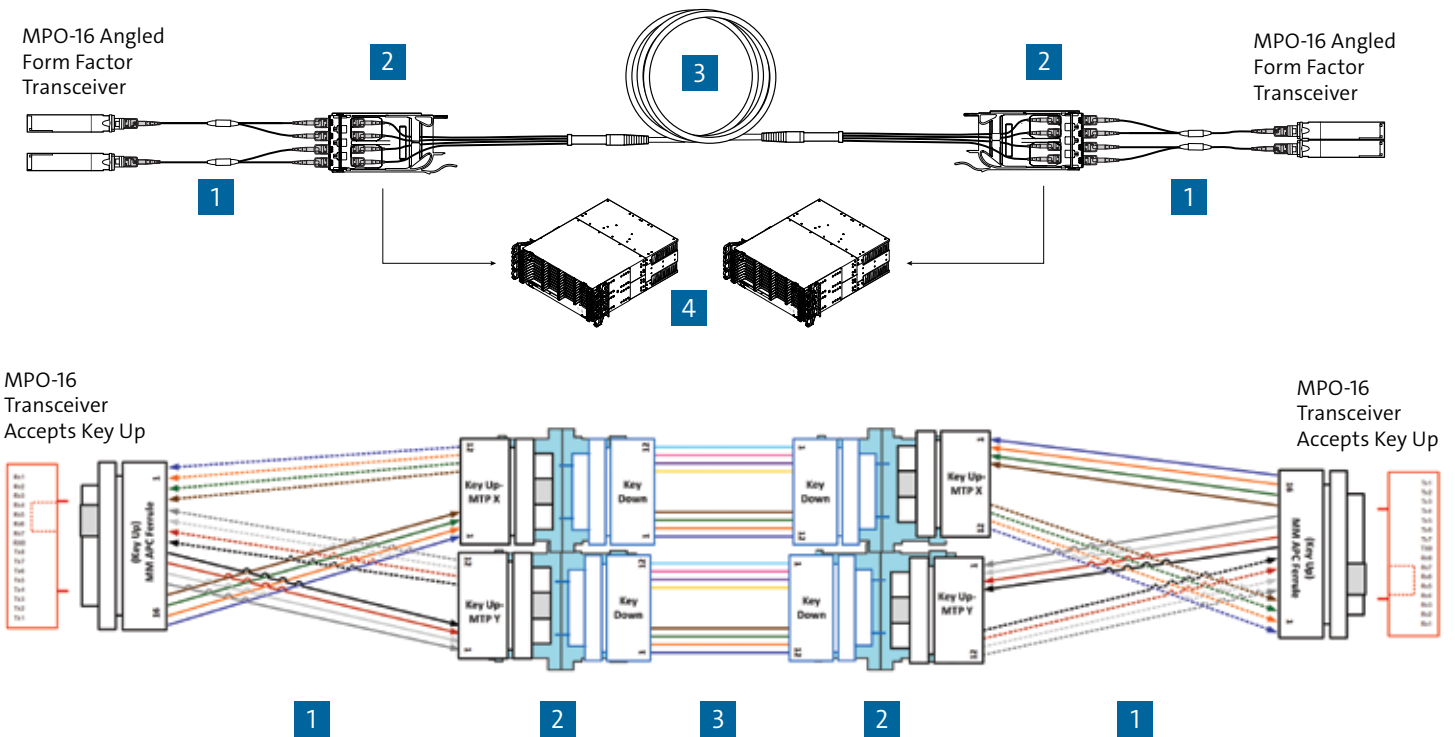
Near End Optic (Left)		Far End Optic (Right)		Reach		
	OSFP-400G-SR8	multimode		OSFP-400G-SR8	multimode	100 m
	QDD-400G-SR8	multimode		QDD-400G-SR8	multimode	100 m

Item	OM4 Part Number (Americas)	OM4 Part Number (EMEA and APJ)	Description
1	JC3C316QPH-NBxxxF	JC3C316QLZ-NBxxxM	16-F Jumper, MTP®-16 Angled (unpinned) to MTP-16 Angled (unpinned), Type-B polarity, xxxF (feet) or xxxM (meters)

Note: Americas uses plenum cable and EMEA/APJ uses LSZH™/CPR Rated cable.
Lengths in meters are also available for the Americas.

Scenario 6:

MPO-16 Angled to MPO-16 Angled Across DC with Trunk



Near End Optic (Left)			Far End Optic (Right)			Reach
	OSFP-400G-SR8	multimode		OSFP-400G-SR8	multimode	100 m
	QDD-400G-SR8	multimode		QDD-400G-SR8	multimode	100 m

Item	OM4 Part Number (Americas)	OM4 Part Number (EMEA and APJ)	Description
1	HC3E616QPH-LBxxxF	HC3E616QLZ-LBxxxM	16-F Y-Harness, MTP®-16 Angled (unpinned) to two 8-F (unpinned) MTPs, 36-in (910-mm) breakout leg length, Type-B polarity, xxxF (feet) or xxxM (meters)
2	EDGE8-CP32-V3	EDGE8-CP32-V3	EDGE8® 32-F MTP Adapter MM/OM4 Panel, 4-port
3	GE5E532QPNDUxxxF*	GE5E532QLZDDUxxxM*	EDGE8, MTP Trunk, 32 F, MTP (pinned) to MTP (pinned), 33-in (840-mm) legs, Type-B polarity, pulling grip on first end only, xxxF (feet) or xxxM (meters)
4	EDGE8-xxU	EDGE8-xxU	Please refer to Annex 1 to choose the best option for your application

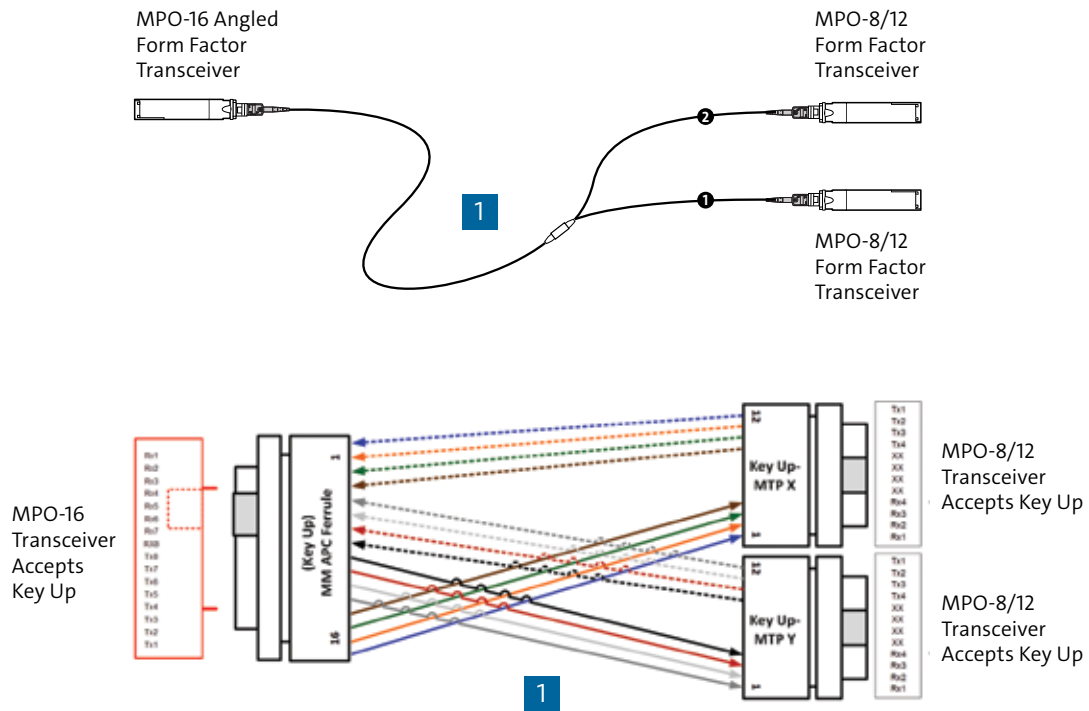
Note: Americas uses plenum cable and EMEA/APJ uses LSZH™/CPR Rated cable

*Trunks available in fiber counts of 8 to 288 fibers or higher.

Lengths in meters are also available for the Americas.

Scenario 7:

MPO-16 Angled to MPO-8/12 Local



Near End Optic (Left)			Far End Optic (Right)			Reach
	OSFP-400G-SR8	multimode		2x QSFP-200G-SR4	multimode	100 m
	OSFP-400G-SR8*	multimode		2x QSFP-100G-SR4	multimode	100 m
	QDD-400G-SR8	multimode		2x QSFP-200G-SR4	multimode	100 m
	QDD-400G-SR8*	multimode		2x QSFP-100G-SR4	multimode	100 m

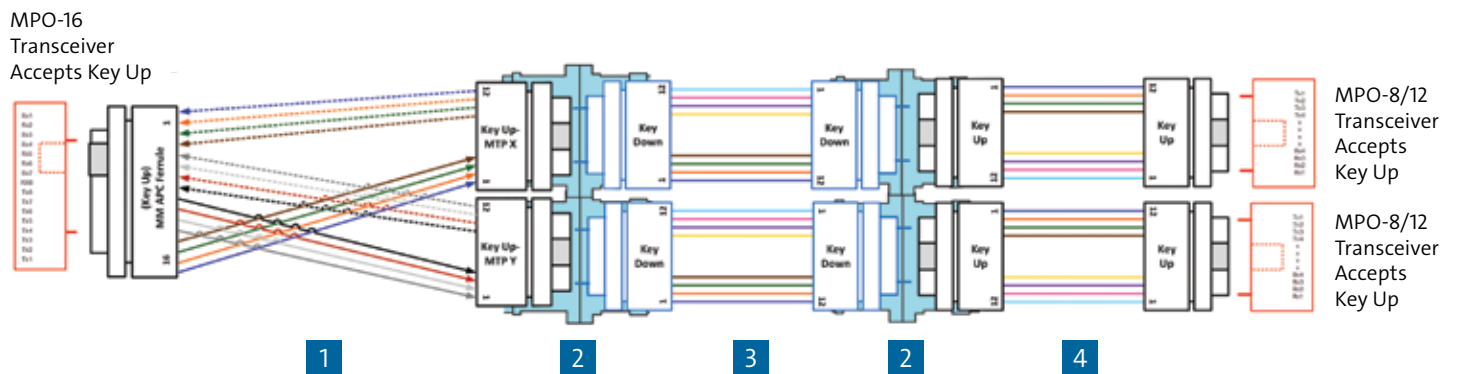
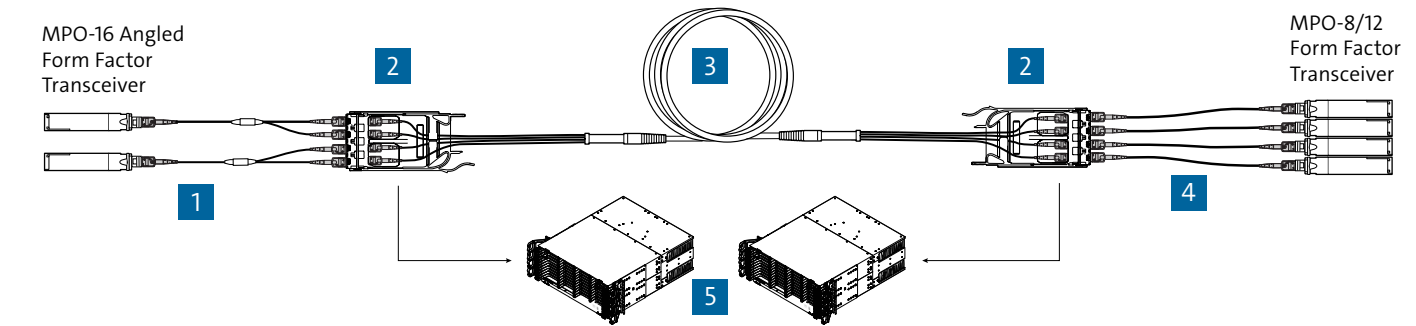
*Configured to work as 2x 100G

Item	OM4 Part Number (Americas)	OM4 Part Number (EMEA and APJ)	Description
1	HC3E616QPH-LBxxxF	HC3E616QLZ-LBxxxM	16-F Y-Harness, MTP®-16 Angled (unpinned) to two 8-F (unpinned) MTPs, 36-in (910-mm) breakout leg length, Type-B polarity, xxxF (feet) or xxxM (meters)

Note: Americas uses plenum cable and EMEA/APJ uses LSZH™/CPR Rated cable.
Lengths in meters are also available for the Americas.

Scenario 8:

MPO-16 Angled to MPO-8/12 Across DC with Trunk



Near End Optic (Left)		Far End Optic (Right)		Reach		
	OSFP-400G-SR8	multimode		2x QSFP-200G-SR4	multimode	100 m
	OSFP-400G-SR8*	multimode		2x QSFP-100G-SR4	multimode	100 m
	QDD-400G-SR8	multimode		2x QSFP-200G-SR4	multimode	100 m
	QDD-400G-SR8*	multimode		2x QSFP-100G-SR4	multimode	100 m

*Configured to work as 2x 100G

Item	OM4 Part Number (Americas)	OM4 Part Number (EMEA and APJ)	Description
1	HC3E616QPH-LBxxxF	HC3E616QLZ-LBxxxM	16-F Y-Harness, MTP®-16 Angled (unpinned) to two 8-F (unpinned) MTPs, 36-in (910-mm) breakout leg length, Type-B polarity, xxxF (feet) or xxxM (meters)
2	EDGE8-CP32-V3	EDGE8-CP32-V3	EDGE8® 32-F MTP Adapter MM/OM4 Panel, 4-port
3	GE5E532QPNDUxxxF*	GE5E532QLZDDUxxxM*	EDGE8, MTP Trunk, 32 F, MTP (pinned) to MTP (pinned), 33-in (840-mm) legs, Type-B polarity, pulling grip on first end only, xxxF (feet) or xxxM (meters)
4	JE6E608QE8-NBxxxF	JE6E608QE8-NBxxxM	EDGE8, 8 F Jumper, MTP (unpinned) to MTP (unpinned), Type-B polarity, xxxF (feet) or xxxM (meters)
5	EDGE8-xxU	EDGE8-xxU	Please refer to Annex 1 to choose the best option for your application

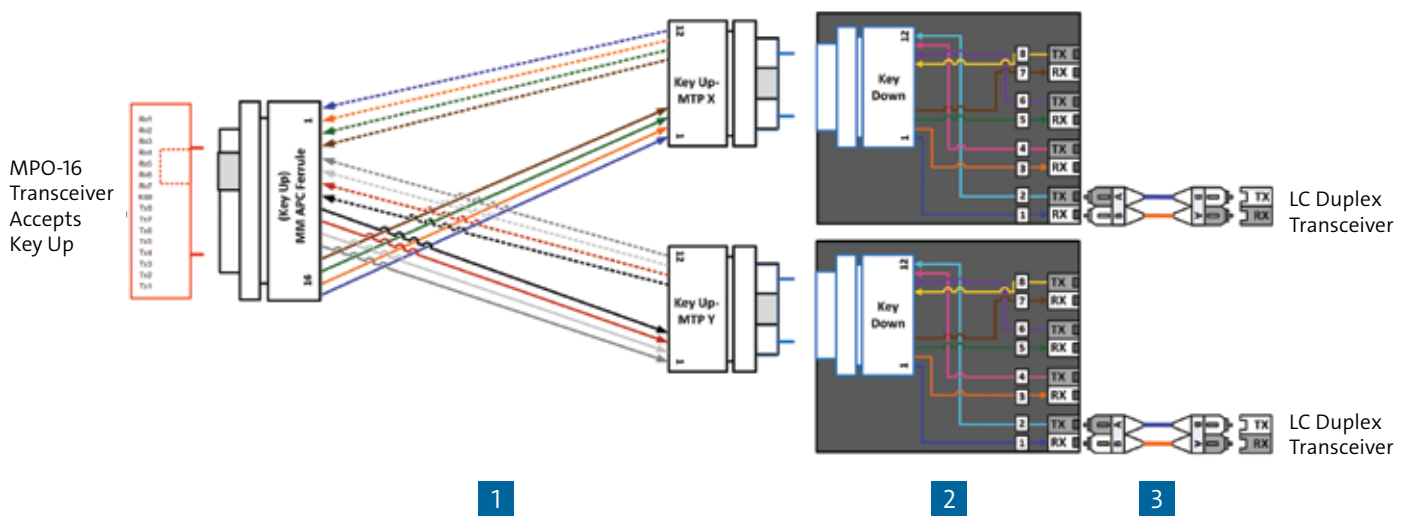
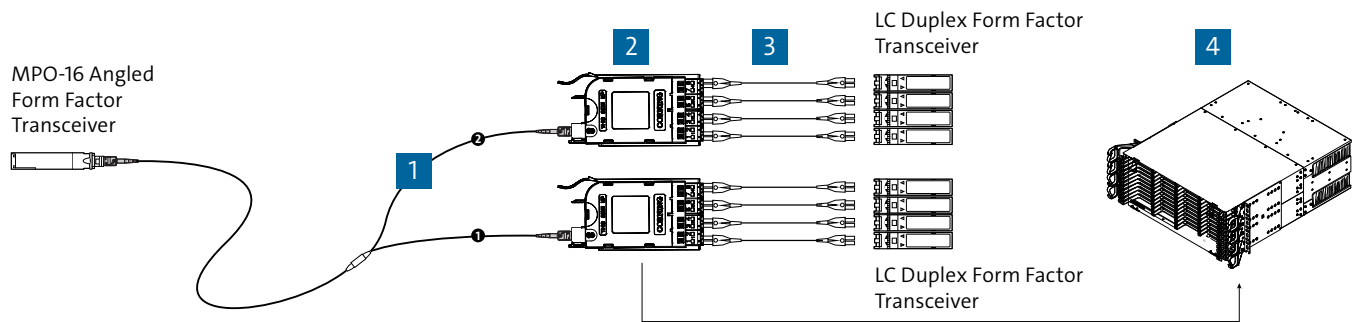
Note: Americas uses plenum cable and EMEA/APJ uses LSZH™/CPR Rated cable.

*Trunks available in fiber counts of 8 to 288 fibers or higher.

Lengths in meters are also available for the Americas.

Scenario 9:

MPO-16 Angled to LC Duplex Local



Near End Optic (Left)			Far End Optic (Right)			Reach
	OSFP-400G-SR8*	multimode		8x SFP-50G-SR	multimode	100 m
	OSFP-400G-SR8†	multimode		8x SFP-25G-SR	multimode	100 m
	QDD-400G-SR8*	multimode		8x SFP-50G-SR	multimode	100 m
	QDD-400G-SR8†	multimode		8x SFP-25G-SR	multimode	100 m

*Refer to Arista 400G FAQ for supported breakout modes.

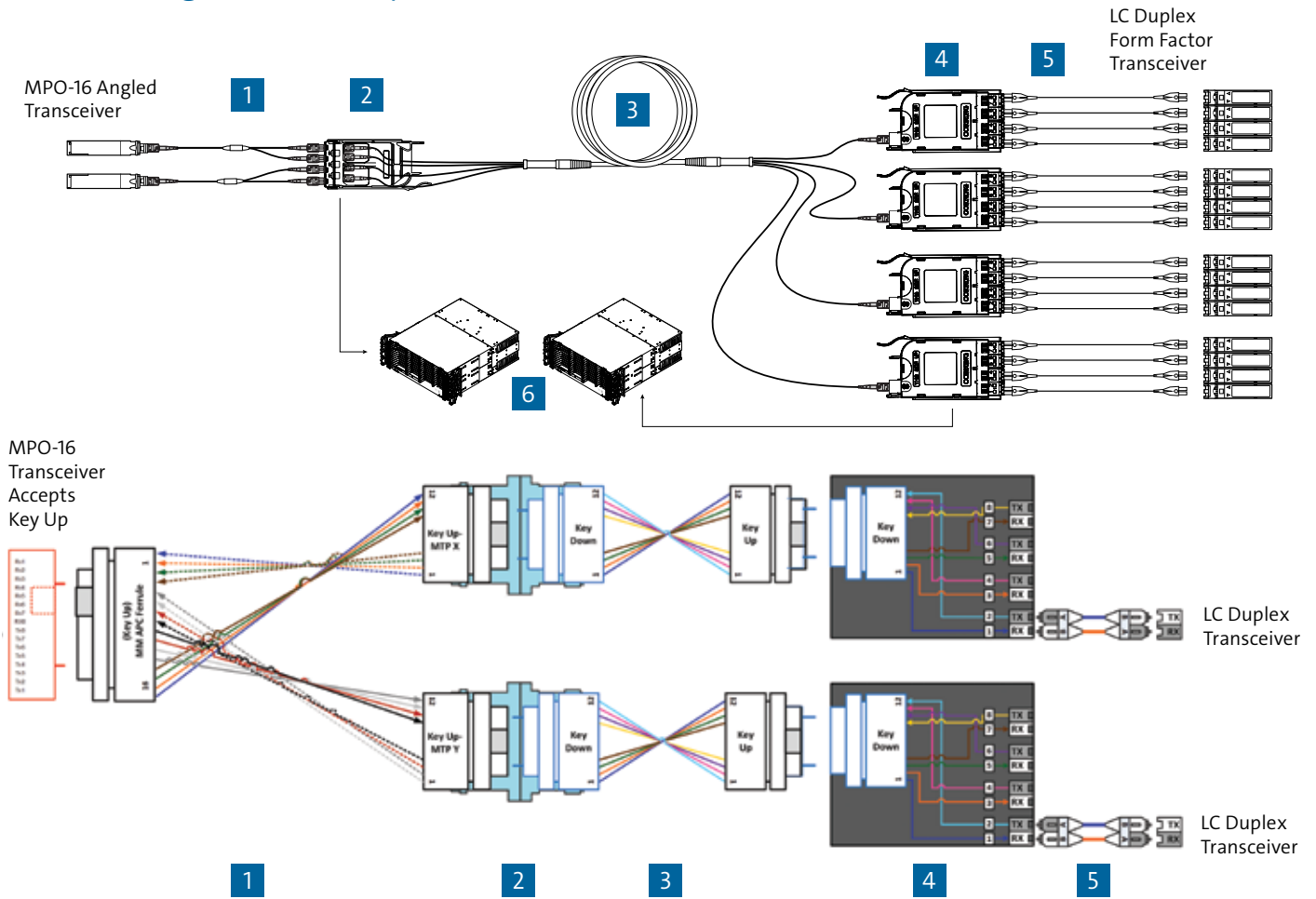
†Configured to work as 2x 100G. Refer to Arista 400G FAQ for supported breakout modes.

Item	OM4 Part Number (Americas)	OM4 Part Number (EMEA and APJ)	Description
1	HC3E516QPH-LBxxxF	HC3E516QLZ-LBxxxM	16-F Y-Harness, MTP®-16 Angled (unpinned) to two 8-F (pinned) MTPs, 36-in (910-mm) breakout leg length, Type-B polarity, xxxF (feet) or xxxM (meters)
2	ECM8-UM08-05-E6Q-ULL	ECM8-UM08-05-E6Q-ULL	EDGE8® Ultra-Low-Loss Module, LC Duplex to MTP (unpinned), 8 F, universal polarity
3	797902QD120xxxF	E797902QNZ20xxxM	EDGE™ LC PC Uniboot to LC PC Uniboot Duplex Jumper, 2.0 mm cable, xxxF (feet) or xxxM (meters)
4	EDGE8-xxU	EDGE8-xxU	Please refer to Annex 1 to choose the best option for your application

Note: Americas uses plenum/riser cable and EMEA/APJ uses LSZH™/CPR Rated cable. Lengths in meters are also available for the Americas.

Scenario 10:

MPO-16 Angled to LC Duplex Across DC with Trunk



Near End Optic (Left)	Far End Optic (Right)	Reach
 OSFP-400G-SR8* multimode	 TX RX	8x SFP-50G-SR multimode 100 m
OSFP-400G-SR8 [†] multimode		8x SFP-25G-SR multimode 100 m
QDD-400G-SR8* multimode		8x SFP-50G-SR multimode 100 m
QDD-400G-SR8 [†] multimode		8x SFP-25G-SR multimode 100 m

*Refer to Arista 400G FAQ for supported breakout modes.

[†]Configured to work as 2x 100G. Refer to Arista 400G FAQ for supported breakout modes.

Item	OM4 Part Number (Americas)	OM4 Part Number (EMEA and APJ)	Description
1	HC3E616QPH-LAxxxF	HC3E616QLZ-LAxxxM	16-F Y-Harness, MTP [®] -16 Angled (unpinned) to two 8-F (unpinned) MTPs, 36-in (910-mm) breakout leg length, Type-A polarity, xxxF (feet) or xxxM (meters)
2	EDGE8-CP32-V3	EDGE8-CP32-V3	EDGE8 [®] 32-F MTP Adapter MM/OM4 Panel, 4-port
3	GE5E532QPNDUxxxF*	GE5E532QLZDDUxxxM*	EDGE8, MTP Trunk, 32 F, MTP (pinned) to MTP (pinned), 33-in (840-mm) legs, Type-B polarity, pulling grip on first end only, xxxF (feet) or xxxM (meters)
4	ECM8-UM08-05-E6Q-ULL	ECM8-UM08-05-E6Q-ULL	EDGE8 Ultra-Low-Loss Module, LC Duplex to MTP (unpinned), 8 F, universal polarity
5	797902QD120xxxF	E797902QNZ20xxxM	EDGE [™] LC PC Uniboot to LC PC Uniboot Duplex Jumper, 2.0 mm cable, xxxF (feet) or xxxM (meters)
6	EDGE8-xxU	EDGE8-xxU	Please refer to Annex 1 to choose the best option for your application

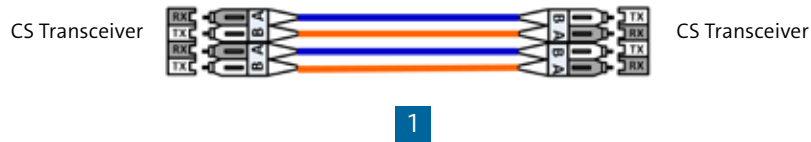
Note: Americas uses plenum/riser cable and EMEA/APJ uses LSZH[™]/CPR Rated cable.

*Trunks available in fiber counts of 8 to 288 fibers or higher.

Lengths in meters are also available for the Americas.

Scenario 11:

CS® to CS Local



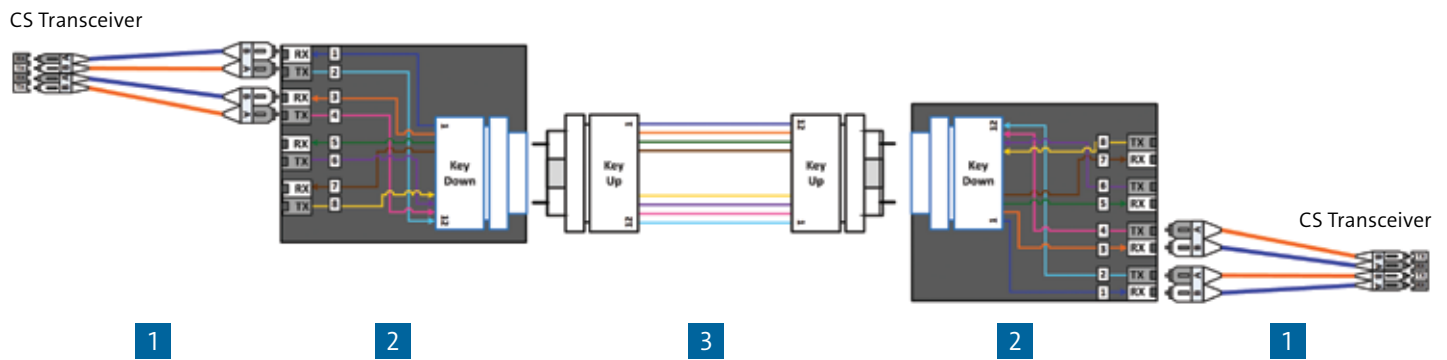
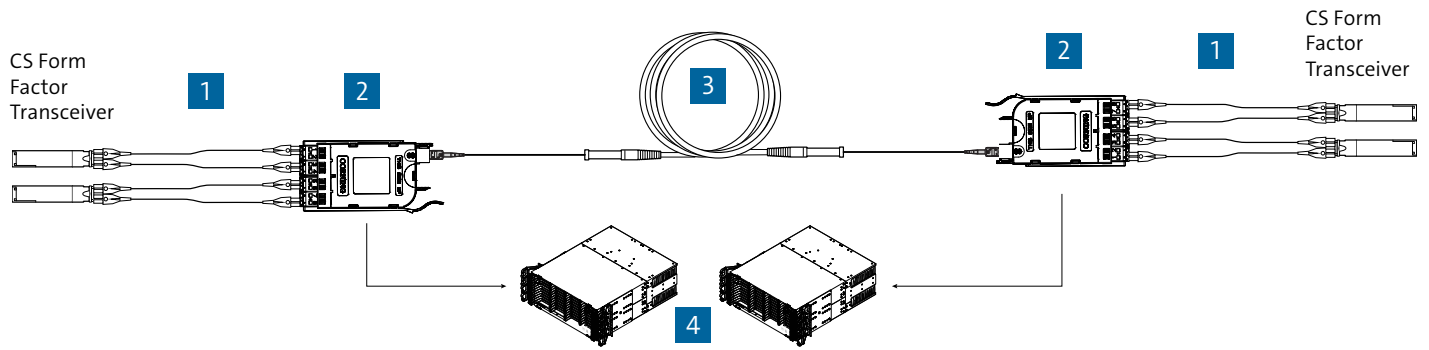
Near End Optic (Left)		Far End Optic (Right)		Reach		
	OSFP-400G-2FR4	single-mode		OSFP-400G-2FR4	single-mode	2 km

Item	OS2 Part Number (Americas)	OS2 Part Number (EMEA and APJ)	Description
1	CUCU02GD120xxxF	ECUCU02GNZ20xxXM	2-F Jumper, Duplex CS UPC to Duplex CS UPC, 2.0 mm cable, xxxF (feet) or xxxM (meters)

Note: Americas uses riser cable and EMEA/APJ uses LSZH™/CPR Rated cable.
Lengths in meters are also available for the Americas.

Scenario 12:

CS® to CS Across DC with Trunk



Near End Optic (Left)		Far End Optic (Right)		Reach
	OSFP-400G-2FR4	single-mode		2 km

Item	OS2 Part Number (Americas)	OS2 Part Number (EMEA and APJ)	Description
1	78CU02GD120xxxF	E78CU02GNZ20xxxM	2-F Jumper, Duplex CS UPC to LC UPC Uniboot Duplex, 2.0 mm cable, xxxF (feet) or xxxM (meters)
2	ECM8-UM08-04-E8G-ULL	ECM8-UM08-04-E8G-ULL	EDGE8® Ultra-Low-Loss Module, LC duplex to MTP® (unpinned), 8 F, universal polarity
3	GE7E708GPNDUxxxF*	GE7E708GLZDDUxxxM*	EDGE8, MTP Trunk, 8 F, MTP (pinned) to MTP (pinned), 33-in (840-mm) legs, Type-B polarity, pulling grip on first end only, xxxF (feet) or xxxM (meters)

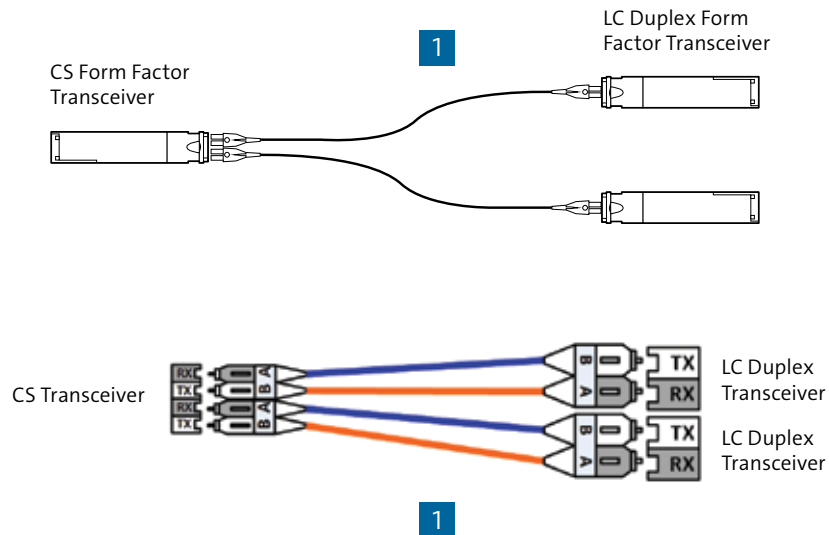
Note: Americas uses plenum/riser cable and EMEA/APJ uses LSZH™/CPR Rated cable.

*Trunks available in fiber counts of 8 to 288 fibers or higher.

Lengths in meters are also available for the Americas.

Scenario 13:

CS® to LC Duplex Local



Near End Optic (Left)		Far End Optic (Right)		Reach		
	OSFP-400G-2FR4	single-mode		2x QSFP-200G-FR4	single-mode	2 km
	OSFP-400G-2FR4*	single-mode		2x QSFP-100G-CWDM4	single-mode	2 km

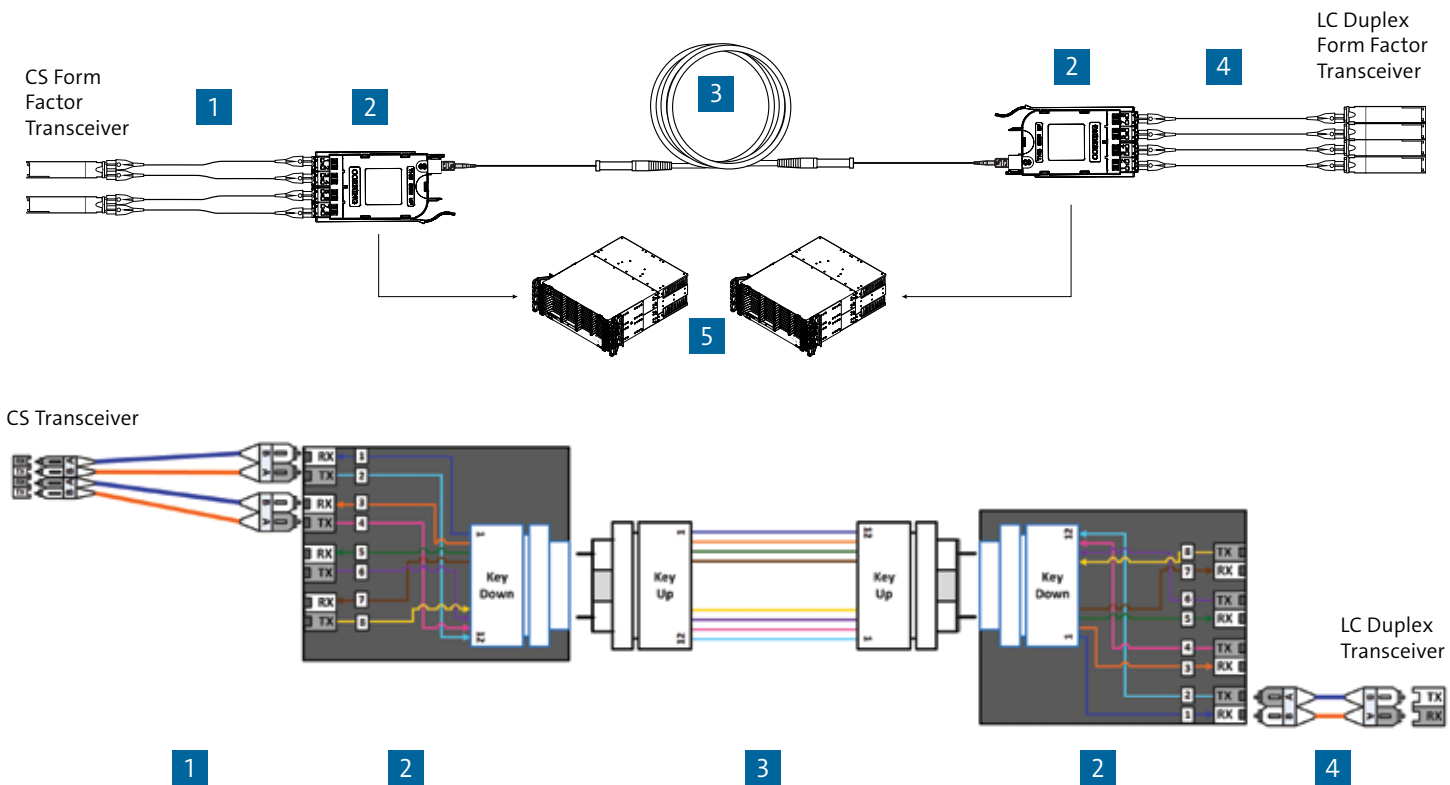
*Configured to work as 2x 100G

Item	OS2 Part Number (Americas)	OS2 Part Number (EMEA and APJ)	Description
1	78CU02GD120xxxF	E78CU02GNZ20xxxM	2-F Jumper, Duplex CS UPC to LC UPC Uniboot Duplex, 2.0 mm cable, xxxF (feet) or xxxM (meters)

Note: Americas uses riser cable and EMEA/APJ uses LSZH™/CPR Rated cable. Lengths in meters are also available for the Americas.

Scenario 14:

CS® to LC Duplex Across DC with Trunk



Near End Optic (Left)		Far End Optic (Right)		Reach		
	OSFP-400G-2FR4	single-mode		2x QSFP-200G-FR4	single-mode	2 km
	OSFP-400G-2FR4*	single-mode		2x QSFP-100G-CWDM4	single-mode	2 km

*Configured to work as 2x 100G

Item	OS2 Part Number (Americas)	OS2 Part Number (EMEA and APJ)	Description
1	78CU02GD120xxxF	E78CU02GNZ20xxXM	2-F Jumper, Duplex CS UPC to LC UPC Uniboot Duplex, 2.0 mm cable, xxxF (feet) or xxxM (meters)
2	ECM8-UM08-04-E8G-UULL	ECM8-UM08-04-E8G-UULL	EDGE8® Ultra-Low-Loss Module, LC Duplex to MTP® (unpinned), 8 F, universal polarity
3	GE7E708GPNDUxxxF*	GE7E708GLZDDUxxXM*	EDGE8, MTP Trunk, 8 F, MTP (pinned) to MTP (pinned), 33-in (840-mm) legs, Type-B polarity, pulling grip on first end only, xxxF (feet) or xxxM (meters)
4	787802GD120xxxF	E787802GNZ20xxXM	EDGE™ LC UPC Uniboot to LC UPC Uniboot Duplex Jumper, 2.0 mm cable, xxxF (feet) or xxxM (meters)
5	EDGE8-xxU	EDGE8-xxU	Please refer to Annex 1 to choose the best option for your application

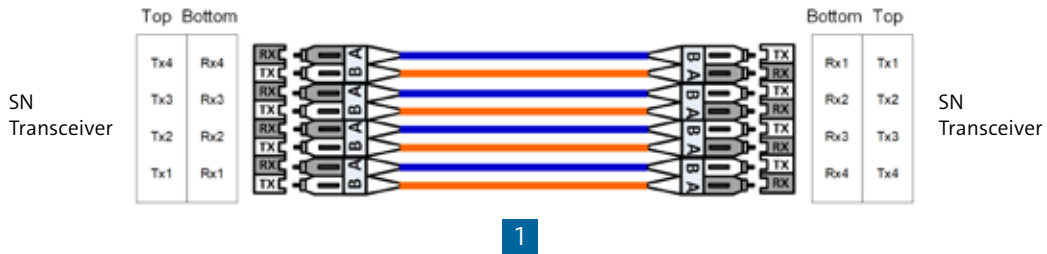
Note: Americas uses plenum/riser cable and EMEA/APJ uses LSZH™/CPR Rated cable.

*Trunks available in fiber counts of 8 to 288 fibers or higher.

Lengths in meters are also available for the Americas.

Scenario 15:

SN[®] to SN Local



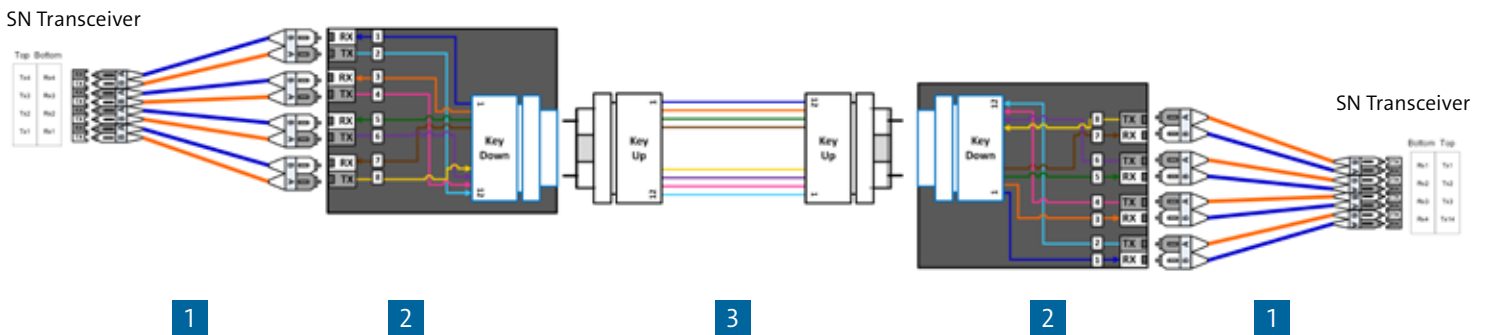
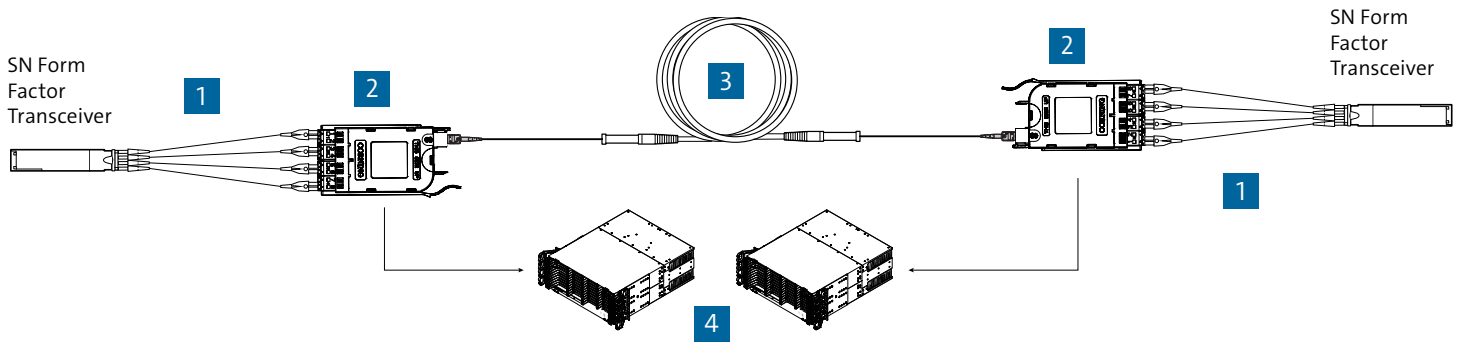
Near End Optic (Left)		Far End Optic (Right)		Reach		
	OSFP-400G-XDR4-S	single-mode		OSFP-400G-XDR4-S	single-mode	2 km
	OSFP-400G-PLR4-S	single-mode		OSFP-400G-PLR4-S	single-mode	10 km
	QDD-400G-XDR4-S	single-mode		QDD-400G-XDR4-S	single-mode	2 km
	QDD-400G-PLR4-S	single-mode		QDD-400G-PLR4-S	single-mode	10 km

Item	OS2 Part Number (Americas)	OS2 Part Number (EMEA and APJ)	Description
1	NUNU02GD116xxxF	ENUNU02GNZ16xxxM	2-F Jumper, Duplex SN UPC to SN UPC, 1.6 mm cable, xxxF (feet) or xxxM (meters)

Note: Americas uses riser cable and EMEA/APJ uses LSZH™/CPR Rated cable.
Lengths in meters are also available for the Americas.

Scenario 16:

SN[®] to SN Across the Data Center



Near End Optic (Left)		Far End Optic (Right)		Reach		
	OSFP-400G-XDR4-S	single-mode		OSFP-400G-XDR4-S	single-mode	2 km
	OSFP-400G-PLR4-S	single-mode		OSFP-400G-PLR4-S	single-mode	10 km
	QDD-400G-XDR4-S	single-mode		QDD-400G-XDR4-S	single-mode	2 km
	QDD-400G-PLR4-S	single-mode		QDD-400G-PLR4-S	single-mode	10 km

Item	OS2 Part Number (Americas)	OS2 Part Number (EMEA and APJ)	Description
1	78NU02GD116xxxF	E78NU02GNZ16xxxM	2-F Jumper, SN UPC to LC Uniboot UPC Duplex Jumper, 1.6 mm cable, xxxF (feet) or xxxM (meters)
2	ECM8-UM08-04-E8G-U LL	ECM8-UM08-04-E8G-U LL	EDGE8 [®] Ultra-Low-Loss Module, LC Duplex to MTP [®] (unpinned), 8 F, universal polarity
3	GE7E708GPNDUxxxF*	GE7E708GLZDDUxxxM*	EDGE8, MTP Trunk, 8 F, MTP (pinned) to MTP (pinned), 33-in (840-mm) legs, Type-B polarity, pulling grip on first end only, xxxF (feet) or xxxM (meters)
4	EDGE8-xxU	EDGE8-xxU	Please refer to Annex 1 to choose the best option for your application

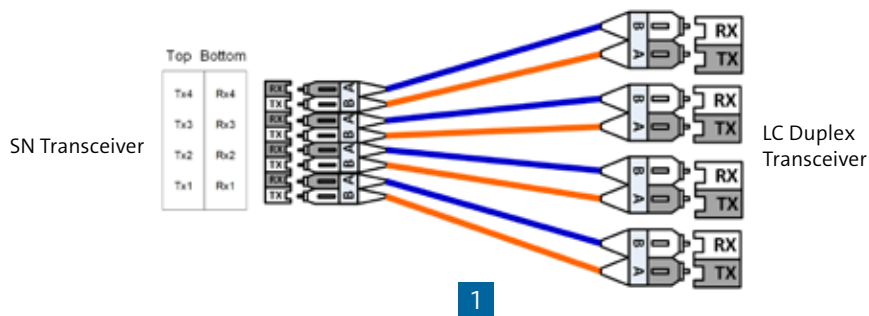
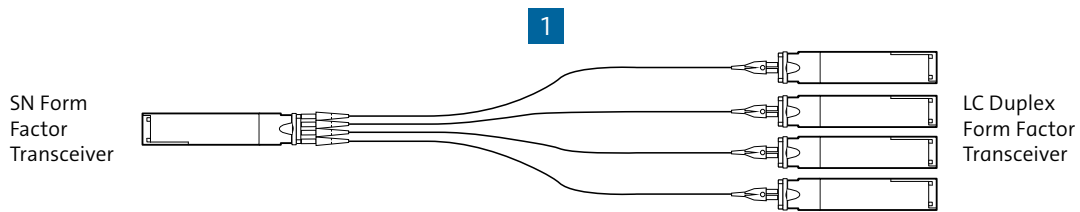
Note: Americas uses plenum/riser cable and EMEA/APJ uses LSZH[™]/CPR Rated cable.

*Trunks available in fiber counts of 8 to 288 fibers or higher.

Lengths in meters are also available for the Americas.

Scenario 17:

SN[®] to LC Duplex Local



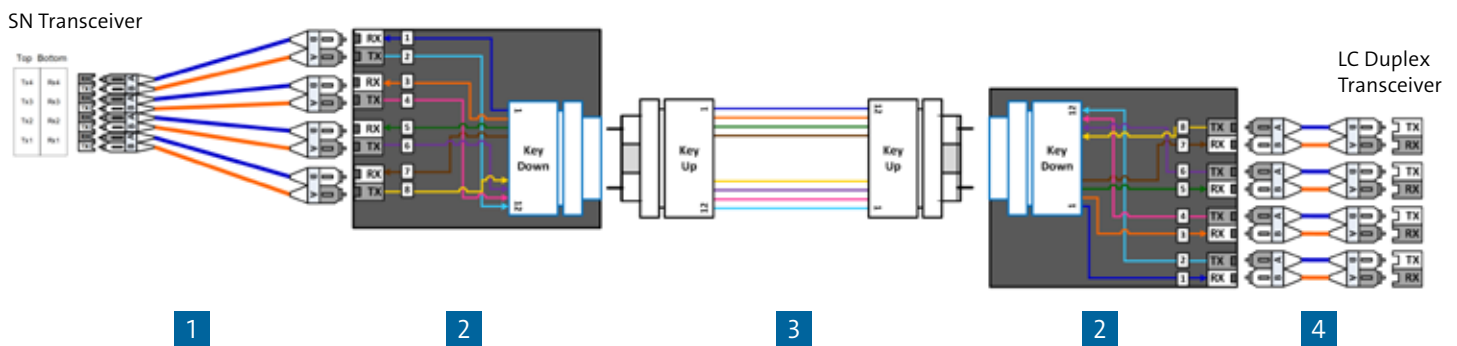
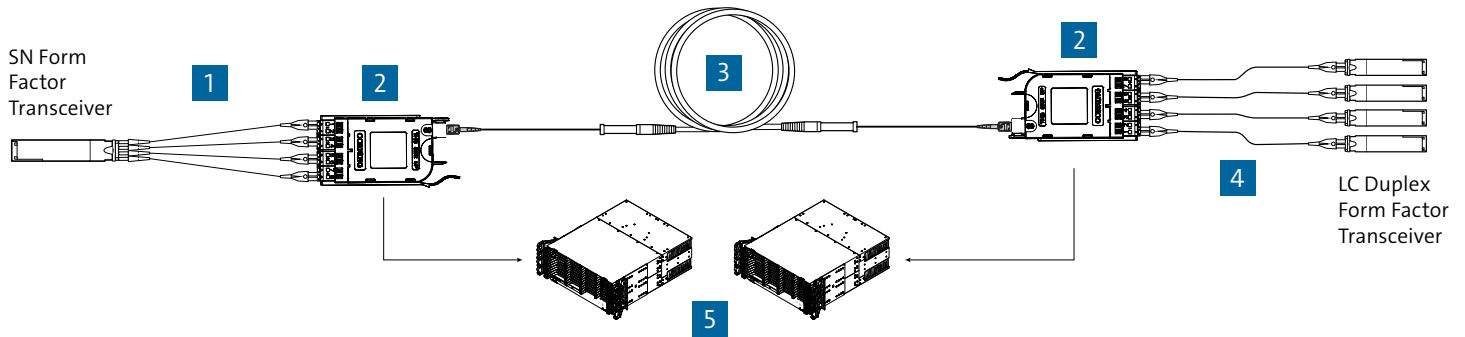
Near End Optic (Left)		Far End Optic (Right)		Reach		
	OSFP-400G-XDR4-S	single-mode		4x QSFP-100G-FR	single-mode	2 km
	OSFP-400G-PLR4-S	single-mode		4x QSFP-100G-LR	single-mode	10 km
	QDD-400G-XDR4-S	single-mode		4x QSFP-100G-FR	single-mode	2 km
	QDD-400G-PLR4-S	single-mode		4x QSFP-100G-LR	single-mode	10 km

Item	OS2 Part Number (Americas)	OS2 Part Number (EMEA and APJ)	Description
1	78NU02GD116xxxF	E78NU02GNZ16xxXM	2-F Jumper, SN UPC to LC Uniboot UPC Duplex Jumper, 1.6 mm cable, xxxF (feet) or xxxM (meters)

Note: Americas uses riser cable and EMEA/APJ uses LSZH™/CPR Rated cable.
Lengths in meters are also available for the Americas.

Scenario 18:

SN[®] to LC Duplex Across the Data Center



Near End Optic (Left)		Far End Optic (Right)		Reach		
	OSFP-400G-XDR4-S	single-mode		4x QSFP-100G-FR	single-mode	2 km
	OSFP-400G-PLR4-S	single-mode		4x QSFP-100G-LR	single-mode	10 km
	QDD-400G-XDR4-S	single-mode		4x QSFP-100G-FR	single-mode	2 km
	QDD-400G-PLR4-S	single-mode		4x QSFP-100G-LR	single-mode	10 km

	OS2 Part Number (Americas)	OS2 Part Number (EMEA and APJ)	Description
1	78NU02GD116xxxF	E78NU02GNZ16xxxM	2-F Jumper, SN UPC to LC Uniboot UPC Duplex Jumper, 1.6 mm cable, xxxF (feet) or xxxM (meters)
2	ECM8-UM08-04-E8G-ULL	ECM8-UM08-04-E8G-ULL	EDGE8 [®] Ultra-Low-Loss Module, LC Duplex to MTP [®] (unpinned), 8 F, universal polarity
3	GE7E708GPNDUxxxF*	GE7E708GLZDDUxxxM*	EDGE8, MTP Trunk, 8 F, MTP (pinned) to MTP (pinned), 33-in (840-mm) legs, Type-B polarity, pulling grip on first end only, xxxF (feet) or xxxM (meters)
4	787802GD120xxxF	E787802GNZ20xxxM	EDGE [™] LC UPC Uniboot to LC UPC Uniboot Duplex Jumper, 2.0 mm cable, xxxF (feet) or xxxM (meters)
5	EDGE8-xxU	EDGE8-xxU	Please refer to Annex 1 to choose the best option for your application

Note: Americas uses plenum/riser cable and EMEA/APJ uses LSZH[™]/CPR Rated cable.




*Trunks available in fiber counts of 8 to 288 fibers or higher.

Lengths in meters are also available for the Americas.

Annex 1

EDGE8® HD housings mount in 19-inch racks or cabinets and provide industry-leading ultra-high-density connectivity when combined with EDGE8 modules, panels, harnesses, trunks, and jumpers.

As each customer and project has specific needs, please add the housing that best suits your needs to the BOM:

	Part Number (Global)	Maximum Number of Modules or Panels	Maximum Fiber Density		Height
	EDGE8-01U-SP	18	LC MTP®	144 fibers 576 fibers	1U
	EDGE8-02U	36	LC MTP	288 fibers 1,152 fibers	2U
	EDGE8-04U	72	LC MTP	576 fibers 2,304 fibers	4U



CORNING

Corning Optical Communications LLC • 4200 Corning Place • Charlotte, NC 28216 USA
800-743-2675 • FAX: 828-325-5060 • International: +1-828-901-5000 • www.corning.com/opcomm

Corning Optical Communications reserves the right to improve, enhance, and modify the features and specifications of Corning Optical Communications products without prior notification. A complete listing of the trademarks of Corning Optical Communications is available at www.corning.com/opcomm/ trademarks. All other trademarks are the properties of their respective owners. Corning Optical Communications is ISO 9001 certified. © 2020, 2022 Corning Optical Communications. All rights reserved. LAN-2519-AEN / July 2022