



# SYSTIMAX® Propel™ Cabling Solutions for Arista 100G & 200G Fiber Optic Transceivers

COMMSCOPE®

ARISTA

## Contents

<b>Introduction</b>	3
<b>Arista 100G/200G transceiver models</b>	4
<b>Arista 100G/200G Multimode Direct Connections using Equipment Cords</b>	5
QSFP 100G/200G Transceivers for parallel Multimode Fiber (MMF)	5
QSFP 100G Transceivers for duplex Multimode Fiber (MMF)	5
QSFP 100G Transceivers for parallel Singlemode Fiber (SMF)	6
QSFP 100G/200G Transceivers for duplex Singlemode Fiber (SMF)	6
<b>Arista 100G/200G Connections using the Propel Cabling System</b>	7
Parallel Multimode Fiber (200G-SR4, 100G-SR4 & 100G-XSR4)	7
MPO-16 based	7
MPO-8 based	8
Duplex Multimode Fiber (100G-SWDM4 & 100G-SRBD)	9
MPO-16 based	9
MPO-8 based	10
Parallel Singlemode Fiber (100G-PSM4, 100G-PLRL4)	11
MPO-16 based	11
MPO-8 based	12
Duplex Singlemode Fiber (200G-FR4 & -2LR4, 100G-CDWM4, -XCDWM4, -LR4, -LRL4, -ERL4, -ZR, -DR, -FR & -LR)	13
MPO-16 based	13
MPO-8 based	14
<b>Arista 100G/200G Transceiver Breakout Options using the Propel Cabling System</b>	15
Introduction	15
200GBase-SR4, 100GBase-SR4 or 100GBase-XSR4	16
MPO-16 based	16
MPO-8 based	18
100GBase-PSM4 (100G-PSM4, 100G-PLRL4)	20
MPO-16 based	20
MPO-8 based	22
<b>Panel index</b>	24
Propel panels	24
Propel panel capacity & adapter packs/module by size	24

# Introduction

This document serves as a guide when designing a cabling system using CommScope's Propel solution for Arista 100G & 200G fiber optic transceivers.

Shown are reference diagrams and options for application scenarios using MPO8 and MPO16 based trunk cabling or direct connect equipment cords.

**Contact your CommScope representative for additional information.**

## Arista 100G/200G transceiver models

Arista supports a full range of 100G/200G optical transceivers listed in the following table:

Part number	Description	Connector type	Reach OM3 (m)	Reach OM4 (m)	Reach OS2 (m)
<b>QSFP 200G Transceivers for parallel Multi-mode Fiber (MMF)</b>					
QSFP-200G-SR4	200GBASE-SR4 QSFP optical transceiver, dual rate 100G/200G	MPO-12 UPC	70	100	–
<b>QSFP 200G Transceivers for duplex SMF</b>					
QSFP-200G-FR4	200GBASE-FR4 QSFP optical transceiver, dual rate 100G/200G	LC-Duplex	–	–	2000
<b>OSFP 200G Transceivers for duplex SMF</b>					
OSFP-200G-2LR4	200GBASE-2LR4 OSFP optical transceiver, dual rate 100G/200G, interoperable with 2 x 100GBASE-LR4	LC-Duplex (2x)	–	–	10000
<b>QSFP-DD 200G Transceivers for duplex SMF</b>					
QDD-200G-2LR4	200GBASE-2LR4 QSFP-DD optical transceiver, dual rate 100G/200G, interoperable with 2 x 100GBASE-LR4	CS (2x)	–	–	10000
<b>QSFP 100G Transceivers for parallel Multi-mode Fiber (MMF)</b>					
QSFP-100G-SR4	100GBASE-SR4 QSFP optical transceiver	MPO-12 UPC	70	100	–
QSFP-100G-XSR4	100GBASE-XSR4 QSFP optical transceiver	MPO-12 UPC	150	300	–
<b>QSFP 100G Transceivers for duplex MMF</b>					
QSFP-100G-SWDM4	100GBASE-SWDM4 QSFP optical transceiver	LC-Duplex	70	100	–
QSFP-100G-SRBD	100GBASE-BIDI QSFP optical transceiver	LC-Duplex	70	100	–
<b>QSFP 100G Transceivers for Parallel Single-Mode Fiber (SMF)</b>					
QSFP-100G-PSM4	100GBASE-PSM4 40G/100G dual speed QSFP optical transceiver	MPO-12 APC	–	–	500
QSFP-100G-PLRL4	100GBASE-PLRL4 40G/100G dual speed QSFP optical transceiver	MPO-12 APC	–	–	2000
<b>QSFP 100G Transceivers for duplex SMF</b>					
QSFP-100G-CWDM4	100GBASE-CWDM4 QSFP optical transceiver	LC-Duplex	–	–	2000
QSFP-100G-XCWDM4	100GBASE-XCWDM4 QSFP optical transceiver, interoperable with 100GBASE-CWDM4 up to 2 km	LC-Duplex	–	–	10000
QSFP-100G-LR4	100GBASE-LR4 QSFP optical transceiver	LC-Duplex	–	–	10000
QSFP-100G-LRL4	100GBASE-LRL4 QSFP optical transceiver, interoperable with 100GBASE-LR4 up to 2 km	LC-Duplex	–	–	2000
QSFP-100G-ERL4	100GBASE-ERL4 QSFP optical transceiver	LC-Duplex	–	–	40000
QSFP-100G-ZR4	100GBASE-ZR4 QSFP optical transceiver	LC-Duplex	–	–	80000
QSFP-100G-DR	100GBASE-DR “100G lambda” QSFP optical transceiver, interoperable with 100GBASE-FR/LR over 500m	LC-Duplex	–	–	500
QSFP-100G-FR	100GBASE-FR “100G lambda” QSFP optical transceiver, interoperable with 100G-DR/LR over 500m/2km	LC-Duplex	–	–	2000
QSFP-100G-LR	100GBASE-LR “100G lambda” QSFP optical transceiver, interoperable with 100GBASE-DR/FR over 500m/2km	LC-Duplex	–	–	10000

Table 1: Arista 100G/200G transceivers

Note: The information on this page is taken from the following Arista documents:

[Arista 100G Transceivers & Cables Q&A](#)

[Arista Optical Modules and Cables](#)

Note: MPO-12 applications use 8 fibers and can be run on MPO-8 and on MPO-16 as well as shown in this document

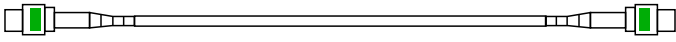
# Arista 100G/200G Multimode Direct Connections using Equipment Cords

## QSFP 100G/200G Transceivers for parallel Multimode Fiber (MMF)

**200GBase-SR4**  
**100GBase-SR4**  
**100GBase-XSR4**

**QSFP**  
Transceiver

MPO8 multimode patch cord



**200GBase-SR4**  
**100GBase-SR4**  
**100GBase-XSR4**

**QSFP**  
Transceiver

MPO8 multimode UPC patch cords

1 U	2 Q	3 X	4 Q	5 V	6 Q	7 V	8 F	9 8	10 -	11 M	12 A	13 F	14-16 010
Construction type U Ultra-low loss	Cable family Q Plenum array R Dual Rated (OFNR/LSZH)	Fiber type X OM4 multimode V OM5 WB multimode	Connector 1 QV 8f MPO MM UPC (Non-pinned)	Connector 2 QV 8f MPO MM UPC (Non-pinned)	Cordage size F 8f PmP Array Cord, 2mm	Fiber count 8 8-fiber	Color M OM4 Aqua N OM5 Lime Green	Breakout length A No gland	UOM F Feet M Meter	Length 010-999 ft 003-305 m			


Select options for final part number

## QSFP 100G Transceivers for duplex Multimode Fiber (MMF)

**100GBase-SWDM4**  
**100GBase-SRBD**

**QSFP**  
Transceiver

LC Duplex multimode patch cord



**100GBase-SWDM4**  
**100GBase-SRBD**

**QSFP**  
Transceiver

SYSTIMAX Uniboot patch cords

1 U	2 D	3 X	4 L U	5 L U	6 6	7 - 8 2 - J	9 X	10 F	11-12 010	
Construction type U Ultra-low loss	Cable family D Plenum F LSZH/Riser	Fiber type X OM4 multimode V OM5 WB multimode	Connector 1 LU LC Uniboot	Connector 2 LU LC Uniboot	Cordage size K 1.5mm 6 2.0mm	Fiber count 2 2-fiber	Color M OM4 Aqua N OM5 Lime Green	Breakout length X No gland	UOM F Feet M Meter	Length 2-200 Feet 1-061 Meter

Select options for final part number

# Arista 100G/200G Singlemode Direct Connections using Equipment Cords

## QSFP 100G Transceivers for parallel Singlemode Fiber (SMF)

**100GBase-PSM4**  
**100GBase-PLRL4**

QSFP Transceiver

MPO8 multimode patch cord

**100GBase-PSM4**  
**100GBase-PLRL4**

QSFP Transceiver

MPO8 multimode APC patch cords

1 U	2 Q	3 G	4 Q	5 P	6 Q	7 V	8 F	9 8	10 -	11 M	12 A	13 F	14-16 010
Construction type U Ultra-low loss	Cable family Q Plenum array R Dual Rated (OFNR/LSZH)	Fiber type G Singlemode (AZ)	Connector 1 QP 8f MPO SM APC (Non-pinned)	Connector 2 QP 8f MPO SM APC (Non-pinned)	Cordage size F 8f PmP Array Cord, 2mm	Fiber count 8 8-fiber	Color J Yellow	Breakout length A No gland	UOM F Feet M Meter	Length 010-999 ft 003-305 m			

Select options for final part number

## QSFP 100G/200G Transceivers for duplex Singlemode Fiber (SMF)

**200GBase-FR4**  
**QSFP-100G-CWDM4,**  
**QSFP-100G-CWDM4,**  
**QSFP-100G-XCWDM4,**  
**QSFP-100G-LR4, QSFP-100G-LRL4,**  
**QSFP-100G-ERL4, QSFP-100G-ZR4,**  
**QSFP-100G-DR, QSFP-100G-FR,**  
**QSFP-100G-LR**

QSFP Transceiver

LC Duplex singlemode patch cord

**200GBase-FR4**  
**QSFP-100G-CWDM4,**  
**QSFP-100G-CWDM4,**  
**QSFP-100G-XCWDM4,**  
**QSFP-100G-LR4, QSFP-100G-LRL4,**  
**QSFP-100G-ERL4, QSFP-100G-ZR4,**  
**QSFP-100G-DR, QSFP-100G-FR,**  
**QSFP-100G-LR**

QSFP Transceiver

SYSTIMAX Uniboot patch cords

1 U	2 D	3 G	4 L	5 L	6 6	7 - 8 2 - J	9 X	10 F	11-12 010	
Construction type U Ultra-low loss	Cable family D Plenum F LSZH/Riser	Fiber type G Singlemode (AZ)	Connector 1 LU LC Uniboot	Connector 2 LU LC Uniboot	Cordage size K 1.5mm 6 2.0mm	Fiber count 2 2-fiber	Color J Yellow	Breakout length X No gland	UOM F Feet M Meter	Length 2-200 Feet 1-061 Meter

Select options for final part number

## OSFP-DD resp. OSFP 200G Transceivers for duplex Singlemode Fiber (SMF)

**200GBase-2LR4**

OSFP-200G-2LR4

QDD-200G-2LR4

LC Duplex singlemode patch cord (see above)

SYSTIMAX CS singlemode patch cord (see below)

**200GBase-2LR4**

OSFP-200G-2LR4

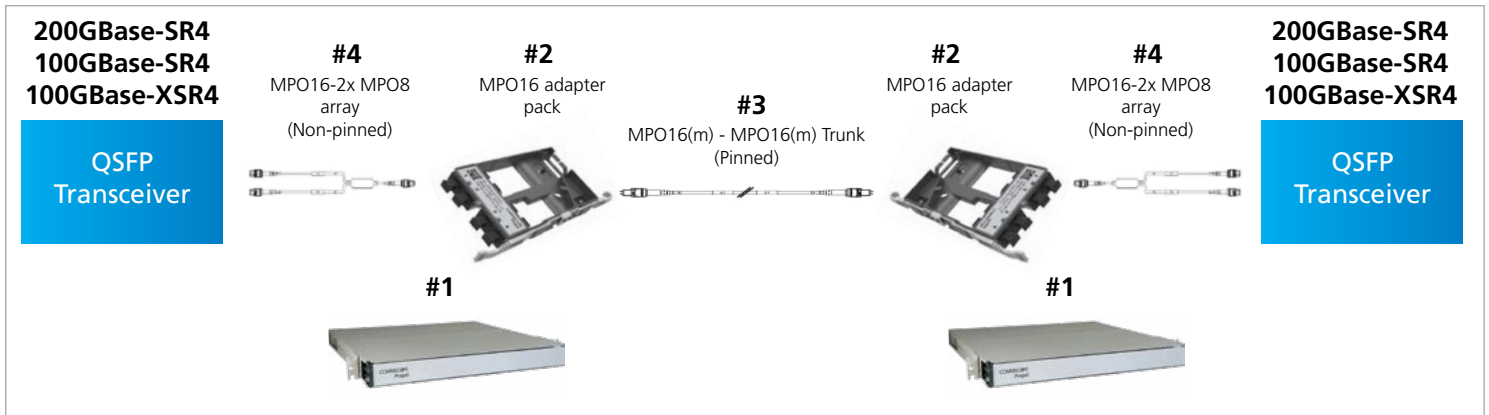
QDD-200G-2LR4

	Product Number	Description
Item 1	UDGCSCS62-JXFxxx or JXMxxx	ULL SM CS to CS Uniboot 2f patch cord, Plenum
	UFGCSCS62-JXFxxx or JXMxxx	ULL SM to CS Uniboot 2f patch cord, Dual Rated (OFNR/LSZH)

# Arista 100G/200G Connections using the Propel Cabling System

## Parallel Multimode Fiber

## MPO-16 Based



**Item #1** Propel Patch Panels (see Panel Index)

### Item #2

	Material ID	Product Number	Description	Fiber Type	Fiber Count	Front Interface	Rear Interface
<b>16-fiber adapter packs</b>							
18 per 1 RU	760252806	PPL-AP-4-MPO16-ALL-B	Propel pass-through adapter pack, Type B	All	64	4 MPO16 Key Up with dust caps	4 MPO16 Key Up with dust caps
12 per 1 RU	760252805	PPL-AP-6-MPO16-ALL-B	Propel pass-through adapter pack, Type B	All	96	6 MPO16 Key Up with dust caps	6 MPO16 Key Up with dust caps
9 per 1RU	760252804	PPL-AP-8-MPO16-ALL-B	Propel pass-through adapter pack, Type B	All	128	8 MPO16 Key Up with dust caps	8 MPO16 Key Up with dust caps
6 per 1RU	760252803	PPL-AP-12-MPO16-ALL-B	Propel pass-through adapter pack, Type B	All	192	12 MPO16 Key Up with dust caps	12 MPO16 Key Up with dust caps

Select options for final part number

### Item #3 MPO16 multimode APC trunk cables

1 U	2 G	3 X	4 R	5 Z	6 R	7 Z	8 8	9 R	10 -	11 M	12 J	13 F	14-16 010
Construction type U Ultra-low loss	Cable family 3 Trunk, LSZH CPR B2ca G Trunk, Plenum Rated (OFNR/LSZH)	Fiber type X OM4 multimode V OM5 WB multimode	Connector 1 RZ 16f MPO MM APC (Pinned)	Connector 2 RZ 16f MPO MM APC (Pinned)	Cordage size 8 16f PmP Trunk, 3.0mm SU	Fiber count R 16-fiber S 32-fiber H 48-fiber U 64-fiber L 96-fiber Q 128-fiber M 144-fiber N 192-fiber	Color M OM4 Aqua N OM5 Lime green	Breakout length J 22" Break Propel No Pull Grip K 22" Break Propel Pull Grip	UOM F Feet M Meter	Length 010-999 ft 003-305 m			

Select options for final part number

### Item #4 MPO16 multimode APC conversion array cords

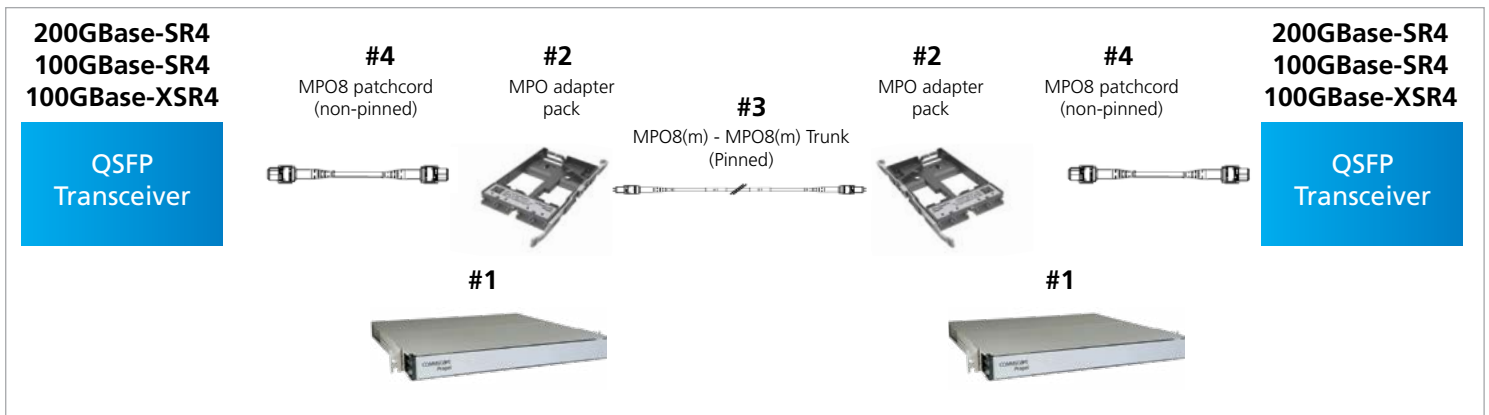
1 U	2 Q	3 X	4 R	5 V	6 Q	7 P	8 7	9 R	10 -	11 M	12 D	13 F	14-16 003
Construction type U Ultra-low loss	Cable family Q Plenum Array R Dual Rated (OFNR/LSZH)	Fiber type X OM4 multimode V OM5 WB multimode	Connector 1 RV 16f MPO MM APC (Non-Pinned)	Connector 2 QP 8f MPO MM UPC (Non-Pinned)	Cordage size 7 16f PmP Array Cord, 3mm	Fiber count R 16-fiber	Color M OM4 Aqua N OM5 Lime green	Breakout length D 12" E 24" H 48" L 72"	UOM F Feet M Meter	Length 12 in 3-999 ft 24 in 4-999 ft 48 in 6-999 ft 72 in 8-999 ft 12 in 1-305 m 24-48 in 2-305 m 72 in 3-305 m			

Select options for final part number

# Arista 100G/200G Connections using the Propel Cabling System

## Parallel Multimode Fiber

## MPO-8 Based



Item #1 Propel Patch Panels (see Panel Index)

### Item #2

	Material ID	Product Number	Description	Fiber Type	Fiber Count	Front Interface	Rear Interface
<b>8-fiber adapter packs</b>							
18 per 1RU	760252371	PPL-AP-4-MPO-ALL-B	Propel pass-through adapter pack, Type B	All	32	4 MPO8 Key Up with internal shutters	4 MPO8 Key Up with dust caps

### Item #3 MPO8 multimode UPC trunk cables

1 U	2 G	3 X	4 Q	5 X	6 Q	7 X	8 T	9 8	10 -	11 M	12 J	13 F	14-16 010
Construction type U Ultra-low loss	Cable family 3 Trunk, LSZH CPR B2ca G Trunk, Plenum J Trunk, Dual Rated (OFNR/LSZH)	Fiber type X OM4 multimode V OM5 WB multimode	Connector 1 QX 8f MPO MM UPC (Pinned)	Connector 2 QX 8f MPO MM UPC (Pinned)	Cordage size T 8f PmP Trunk, 2.0mm SU	Fiber count 8 8-fiber R 16-fiber F 24-fiber S 32-fiber H 48-fiber U 64-fiber K 72-fiber L 96-fiber M 144-fiber N 192-fiber	Color M OM4 Aqua N OM5 Lime green	Breakout length J 22" Break Propel No Pull Grip K 22" Break Propel Pull Grip	UOM F Feet M Meter	Length 010-999 ft 003-305 m			

Select options for final part number

### Item #4 MPO8 multimode UPC patch cords

1 U	2 Q	3 X	4 Q	5 V	6 Q	7 V	8 F	9 8	10 -	11 M	12 A	13 F	14-16 010
Construction type U Ultra-low loss	Cable family Q Plenum Array R Dual Rated (OFNR/LSZH)	Fiber type X OM4 multimode V OM5 WB multimode	Connector 1 QV 8f MPO MM UPC (Non-pinned)	Connector 2 QV 8f MPO MM UPC (Non-pinned)	Cordage size F 8f PmP Array Cord, 2mm	Fiber count 8 8-fiber	Color M OM4 Aqua N OM5 Lime green	Breakout length A No Gland	UOM F Feet M Meter	Length 003-999 ft 001-305 m			

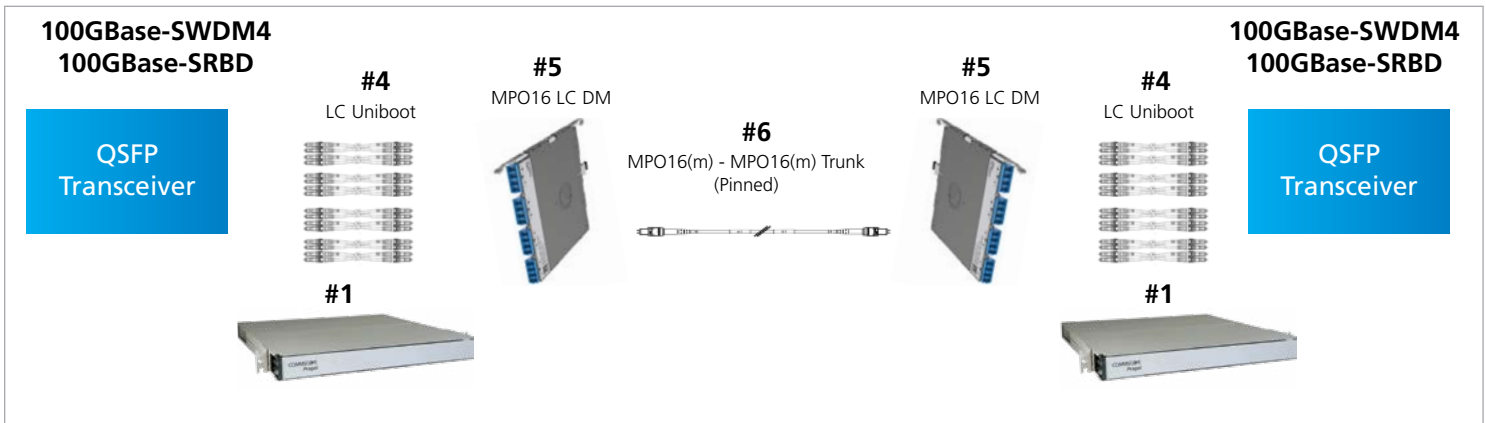
Select options for final part number



# Arista 100G Connections using the Propel Cabling System

## Duplex Multimode Fiber

## MPO-16 Based

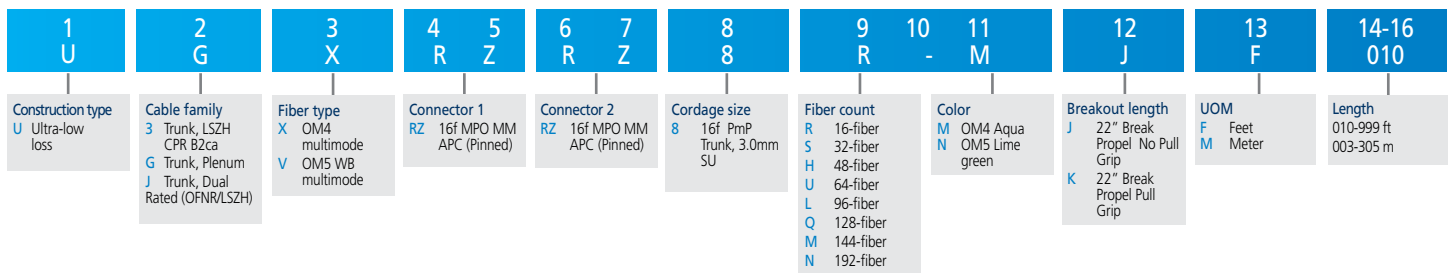


**Item #1** Propel Patch Panels (see Panel Index)

### Item #2

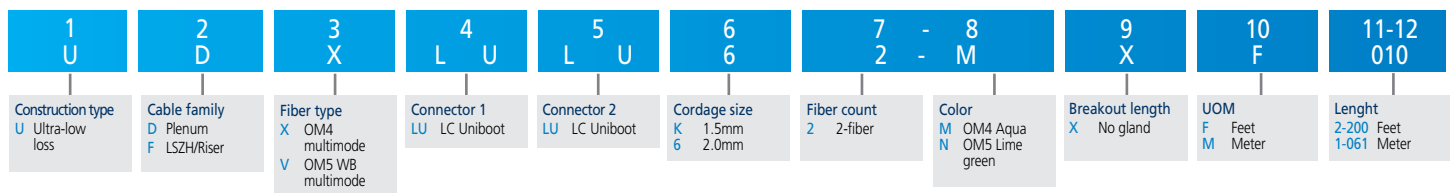
	Material ID	Product Number	Description	Fiber Type	Fiber Count	Front Interface	Rear Interface
<b>MPO16 modules</b>							
9 per 1RU	760252353	PPL-DM-16AU-16LC-OM4-BEU	Propel ULL Distribution Module, Method B Enhanced	OM4	16	8 duplex LCs with internal shutters	1 MPO16/APC non-pinned with dust cap
	760252354	PPL-DM-16AU-16LC-OM5-BEU	Propel ULL Distribution Module, Method B Enhanced	OM5	16	8 duplex LCs with internal shutters	1 MPO16/APC non-pinned with dust cap

### Item #3 MPO16 multimode APC trunk cables



Select options for final part number

### Item #4 SYSTIMAX Uniboot patch cords

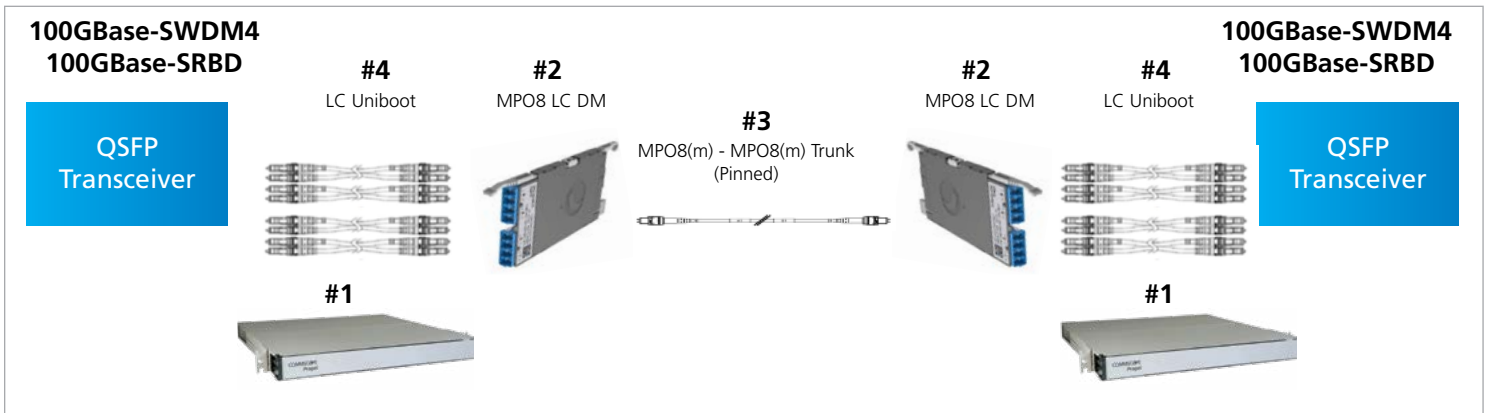


Select options for final part number

# Arista 100G Connections using the Propel Cabling System

## Duplex Multimode Fiber

## MPO-8 Based



**Item #1** Propel Patch Panels (see Panel Index)

### Item #2

	Material ID	Product Number	Description	Fiber Type	Fiber Count	Front Interface	Rear Interface
<b>MPO8 Modules with MPO/UPC in multimode</b>							
18 per 1RU	760252332	PPL-DM-8U-8LC-OM4-BEU	Propel ULL Distribution Module, Method B Enhanced	OM4	8	4 duplex LCs with internal shutters	1 MPO8 non-pinned with internal shutter
	760252333	PPL-DM-8U-8LC-OM5-BEU	Propel ULL Distribution Module, Method B Enhanced	OM5	8	4 duplex LCs with internal shutters	1 MPO8 non-pinned with internal shutter

### Item #3 MPO8 multimode UPC trunk cables

<b>1</b> U	<b>2</b> G	<b>3</b> X	<b>4</b> Q	<b>5</b> X	<b>6</b> Q	<b>7</b> X	<b>8</b> T	<b>9</b> 8	<b>10</b> -	<b>11</b> M	<b>12</b> J	<b>13</b> F	<b>14-16</b> 010
Construction type U Ultra-low loss	Cable family 3 Trunk, LSZH CPR B2ca G Trunk, Plenum J Trunk, Dual Rated (OFNR/LSZH)	Fiber type X OM4 multimode V OM5 WB multimode	Connector 1 QX 8f MPO MM UPC (Pinned)	Connector 2 QX 8f MPO MM UPC (Pinned)	Cordage size T 8f PmP Trunk, 2.0mm SU	Fiber count 8 8-fiber R 16-fiber F 24-fiber S 32-fiber H 48-fiber U 64-fiber K 72-fiber L 96-fiber M 144-fiber N 192-fiber	Color M OM4 Aqua N OM5 Lime green	Breakout length J 22" Break Propel No Pull Grip K 22" Break Propel Pull Grip	UOM F Feet M Meter	Length 010-999 ft 003-305 m	Select options for final part number		

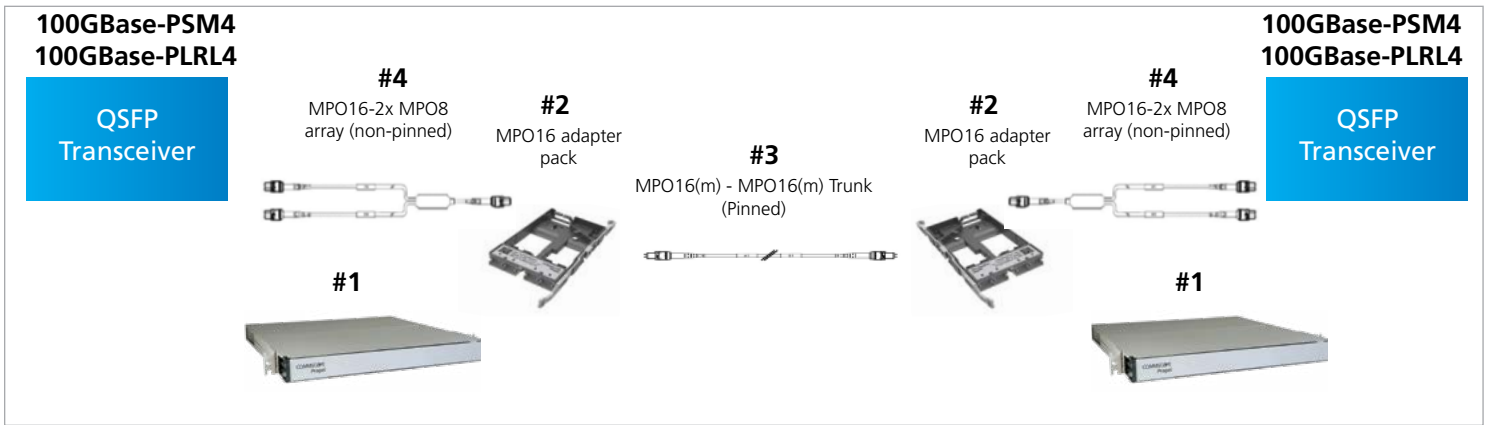
### Item #4 SYSTIMAX Uniboot patch cords

<b>1</b> U	<b>2</b> D	<b>3</b> X	<b>4</b> L	<b>5</b> U	<b>6</b> 6	<b>7</b> 2	<b>8</b> -	<b>9</b> X	<b>10</b> F	<b>11-12</b> 010	
Construction type U Ultra-low loss	Cable family D Plenum F LSZH/Riser	Fiber type X OM4 multimode V OM5 WB multimode	Connector 1 LU LC Uniboot	Connector 2 LU LC Uniboot	Cordage size K 1.5mm 6 2.0mm	Fiber count 2 2-fiber	Color M OM4 Aqua N OM5 Lime green	Breakout length X No gland	UOM F Feet M Meter	Length 2-200 Feet 1-061 Meter	Select options for final part number

# Arista 100G Connections using the Propel Cabling System

## Parallel Singlemode Fiber

## MPO-16 Based



Item #1 Propyl Patch Panels (see Panel Index)

### Item #2

	Material ID	Product Number	Description	Fiber Type	Fiber Count	Front Interface	Rear Interface
<b>16-fiber adapter packs</b>							
18 per 1 RU	760252806	PPL-AP-4-MPO16-ALL-B	Propyl pass-through adapter pack, Type B	All	64	4 MPO16 Key Up with dust caps	4 MPO16 Key Up with dust caps
12 per 1 RU	760252805	PPL-AP-6-MPO16-ALL-B	Propyl pass-through adapter pack, Type B	All	96	6 MPO16 Key Up with dust caps	6 MPO16 Key Up with dust caps
9 per 1RU	760252804	PPL-AP-8-MPO16-ALL-B	Propyl pass-through adapter pack, Type B	All	128	8 MPO16 Key Up with dust caps	8 MPO16 Key Up with dust caps
6 per 1RU	760252803	PPL-AP-12-MPO16-ALL-B	Propyl pass-through adapter pack, Type B	All	192	12 MPO16 Key Up with dust caps	12 MPO16 Key Up with dust caps

Select options for final part number

### Item #3 MPO16 singlemode APC trunk cables

1 U	2 G	3 G	4 R	5 X	6 R	7 X	8 8	9 R	10 -	11 J	12 J	13 F	14-16 010
Construction type U Ultra-low loss	Cable family 3 Trunk, LSZH CPR B2ca G Trunk, Plenum J Trunk, Dual Rated (OFNR/LSZH)	Fiber type G Singlemode (A2)	Connector 1 RX 16f MPO SM APC (Pinned)	Connector 2 RX 16f MPO SM APC (Pinned)	Cordage size 8 16f PmP Trunk, 3.0mm SU	Fiber count R 16-fiber S 32-fiber H 48-fiber U 64-fiber L 96-fiber Q 128-fiber M 144-fiber N 192-fiber	Color J Yellow	Breakout length J 22" Break Propyl No Pull Grip K 22" Break Propyl Pull Grip	UOM F Feet M Meter	Length 010-999 ft 003-305 m			

Select options for final part number

### Item #4 MPO16 singlemode APC conversion array cords

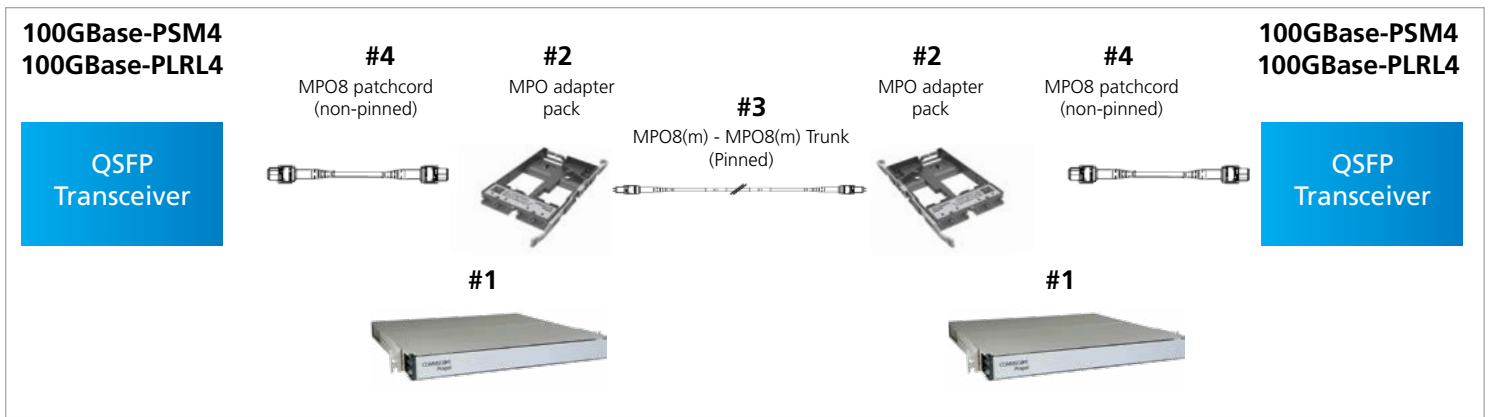
1 U	2 Q	3 G	4 R	5 P	6 Q	7 P	8 7	9 R	10 -	11 J	12 D	13 F	14-16 003
Construction type U Ultra-low loss	Cable family Q Plenum Array R Dual Rated (OFNR/LSZH)	Fiber type G Singlemode (A2)	Connector 1 RP 16f MPO SM APC (Non-Pinned)	Connector 2 QP 8f MPO SM APC (Non-Pinned)	Cordage size 7 16f PmP Array Cord, 3mm	Fiber count R 16-fiber	Color J Yellow	Breakout length D 12" E 24" H 48" L 72"	UOM F Feet M Meter	Length 12 in 3-999 ft 24 in 4-999 ft 48 in 6-999 ft 72 in 8-999 ft 12 in 1-305 m 24-48 in 2-305 m 72 in 3-305 m			

Select options for final part number

# Arista 100G Connections using the Propel Cabling System

## Parallel Singlemode Fiber

## MPO-8 Based



**Item #1** Propels Patch Panels (see Panel Index)

### Item #2

	Material ID	Product Number	Description	Fiber Type	Fiber Count	Front Interface	Rear Interface
<b>8-fiber adapter packs</b>							
18 per 1RU	760252371	PPL-AP-4-MPO-ALL-B	Propel pass-through adapter pack, Type B	All	32	4 MPO8 Key Up with internal shutters	4 MPO8 Key Up with dust caps

### Item #3 MPO8 singlemode APC trunk cables

<b>1</b> U	<b>2</b> G	<b>3</b> G	<b>4</b> Q	<b>5</b> X	<b>6</b> Q	<b>7</b> X	<b>8</b> T	<b>9</b> 8	<b>10</b> -	<b>11</b> J	<b>12</b> J	<b>13</b> F	<b>14-16</b> 010
Construction type U Ultra-low loss	Cable family 3 Trunk, LSZH CPR B2ca G Trunk, Plenum J Trunk, Dual Rated (OFNR/LSZH)	Fiber type G Singlemode (A2)	Connector 1 QX 8f MPO SM APC (Pinned)	Connector 2 QX 8f MPO SM APC (Pinned)	Cordage size T 8f PmP Trunk, 2.0mm SU	Fiber count 8 8-fiber R 16-fiber F 24-fiber S 32-fiber H 48-fiber U 64-fiber K 72-fiber L 96-fiber M 144-fiber N 192-fiber	Color J Yellow	Breakout length J 22" Break Propel No Pull Grip K 22" Break Propel Pull Grip	UOM F Feet M Meter	Length 010-999 ft 003-305 m	Select options for final part number		

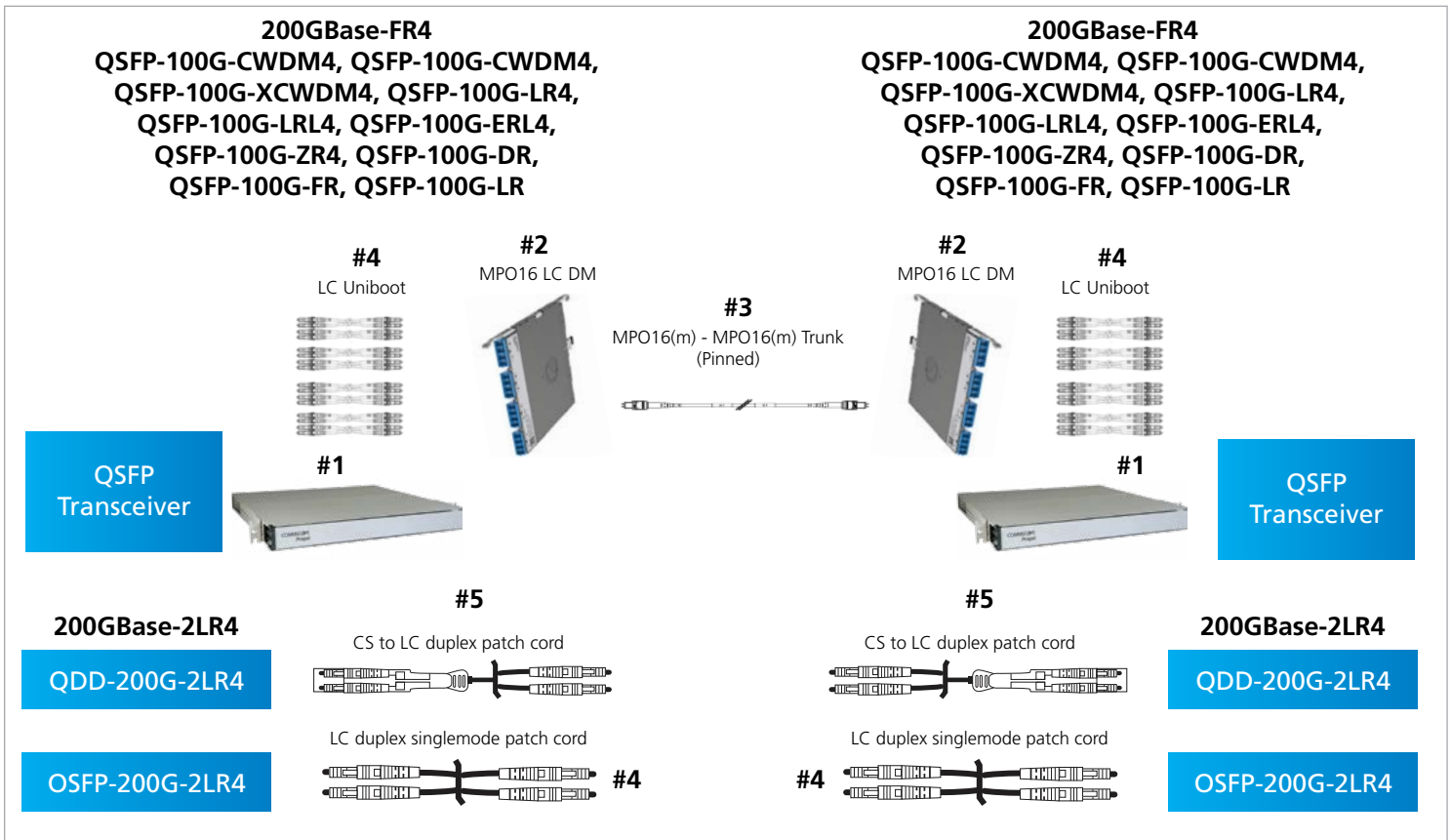
### Item #4 MPO8 singlemode APC patch cord

<b>1</b> U	<b>2</b> Q	<b>3</b> G	<b>4</b> Q	<b>5</b> P	<b>6</b> Q	<b>7</b> P	<b>8</b> F	<b>9</b> 8	<b>10</b> -	<b>11</b> J	<b>12</b> A	<b>13</b> F	<b>14-16</b> 010
Construction type U Ultra-low loss	Cable family Q Plenum Array R Dual Rated (OFNR/LSZH)	Fiber type G Singlemode (A2)	Connector 1 QP 8f MPO SM APC (Non-pinned)	Connector 2 QP 8f MPO SM APC (Non-pinned)	Cordage size F 8f PmP Array Cord, 2mm	Fiber count 8 8-fiber	Color J Yellow	Breakout length A No Gland	UOM F Feet M Meter	Length 003-999 ft 001-305 m	Select options for final part number		

# Arista 100G/200G Connections using the Propel Cabling System

## Duplex Singlemode Fiber

## MPO-16 Based



Item #1 Propel Patch Panels (see Panel Index)

### Item #2

	Material ID	Product Number	Description	Fiber Type	Fiber Count	Front Interface	Rear Interface
<b>MPO16 modules</b>							
9 per 1RU	760252352	PPL-DM-16AU-16LC-SM-BEU	Propel ULL Distribution Module, Method B Enhanced	OS2	16	8 duplex LCs with internal shutters	1 MPO16/APC non-pinned with dust cap

### Item #3 MPO16 singlemode APC trunk cables

1	2	3	4	5	6	7	8	9	10	11	12	13
U	G	G	R	X	R	X	8	R	-	J	J	F
Construction type U Ultra-low loss	Cable family 3 Trunk, LSZH CPR B2ca G Trunk, Plenum J Trunk, Dual Rated (OFNR/LSZH)	Fiber type G Singlemode (A2)	Connector 1 RX 16f MPO SM APC (Pinned)	Connector 2 RX 16f MPO SM APC (Pinned)	Cordage size 8 16f PmP Trunk, 3.0mm SU	Fiber count R 16-fiber S 32-fiber H 48-fiber U 64-fiber L 96-fiber Q 128-fiber M 144-fiber N 192-fiber	Color J Yellow	Breakout length J 22" Break Propel No Pull Grip K 22" Break Propel Pull Grip	UOM F Feet M Meter	Length 010-999 ft 003-305 m	Select options for final part number	

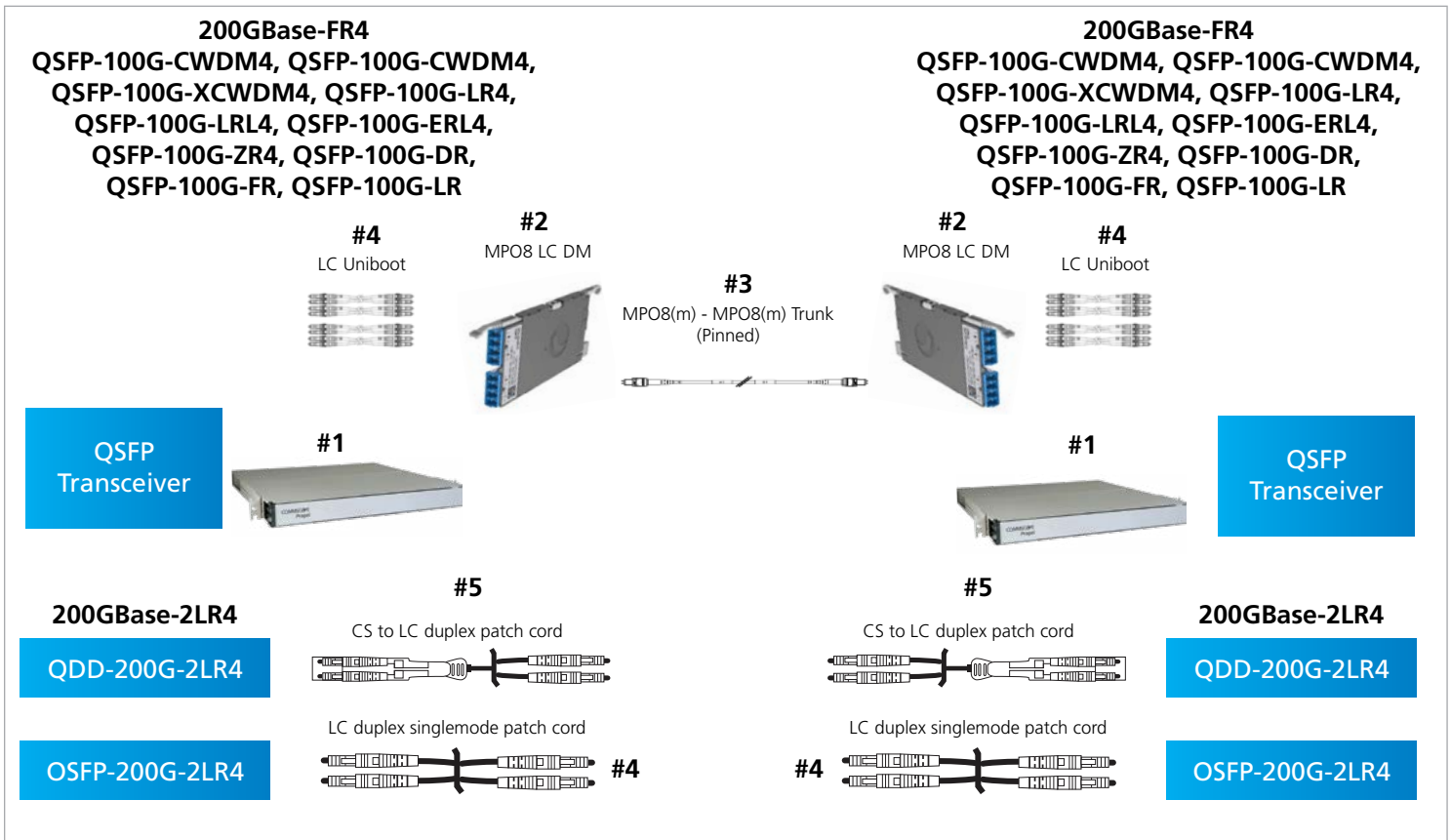
### Item #4 & 5 SYSTIMAX patch cords

1	2	3	4	5	6	7	8	9	10	11-12	
U	D	G	L	U	L	U	6	2	X	F	010
Construction type U Ultra-low loss	Cable family D Plenum F LSZH/Riser	Fiber type G Singlemode (A2)	Connector 1 LU LC Uniboot CS CS Connector	Connector 2 LU LC Uniboot	Cordage size K 1.5mm (LC) 6 2.0 mm (LC, CS)	Fiber count 2 2-fiber	Color J Yellow	Breakout length X No gland	UOM F Feet M Meter	Length 2-200 Feet 1-061 Meter	Select options for final part number

# Arista 100G/200G Connections using the Propel Cabling System

## Duplex Singlemode Fiber

## MPO-8 Based



Item #1 Propel Patch Panels (see Panel Index)

### Item #2

	Material ID	Product Number	Description	Fiber Type	Fiber Count	Front Interface	Rear Interface
<b>MPO8 Modules with MPO in singlemode</b>							
18 per 1RU	760252334	PPL-DM-8AU-8LC-SM-BEU	Propel ULL Distribution Module, Method B Enhanced	OS2	8	4 duplex LCs with internal shutters	1 MPO8/APC non-pinned with internal shutter

### Item #3 MPO8 singlemode APC trunk cables

1 U	2 G	3 G	4 Q	5 X	6 Q	7 X	8 T	9 8	10 -	11 J	12 J	13 F	14-16 010
Construction type U Ultra-low loss	Cable family 3 Trunk, LSZH CPR B2ca G Trunk, Plenum J Trunk, Dual Rated (OFNR/LSZH)	Fiber type G Singlemode (A2)	Connector 1 QX 8f MPO SM APC (Pinned)	Connector 2 QX 8f MPO SM APC (Pinned)	Cordage size T 8f PmP Trunk, 2.0mm SU	Fiber count 8 8-fiber R 16-fiber F 24-fiber S 32-fiber H 48-fiber U 64-fiber K 72-fiber L 96-fiber M 144-fiber N 192-fiber	Color J Yellow	Breakout length J 22" Break Propel No Pull Grip K 22" Break Propel Pull Grip	UOM F Feet M Meter	Length 010-999 ft 003-305 m	Select options for final part number		

### Item #4 & 5 SYSTIMAX patch cords

1 U	2 D	3 G	4 L U	5 L U	6 6	7 2	8 - J	9 X	10 F	11-12 010	
Construction type U Ultra-low loss	Cable family D Plenum F LSZH/Riser	Fiber type G Singlemode (A2)	Connector 1 LU LC Uniboot CS CS Connector	Connector 2 LU LC Uniboot	Cordage size K 1.5mm (LC) 6 2.0 mm (LC, CS)	Fiber count 2 2-fiber	Color J Yellow	Breakout length X No gland	UOM F Feet M Meter	Length 2-200 Feet 1-061 Meter	Select options for final part number

# Arista 100G/200G Transceiver Breakout Options using the Propel Cabling System

## Arista 100G/200G transceiver breakout options

The tables below summarize the breakout options for 100G and 200G QSFP ports. In the tables below, the term “near end” transceiver refers to the transceiver / cable plugged into the QSFP port, and the “remote end” refers to the “broken out” transceiver / cable connected to the SFP port.

Product Number	Supported Breakout Modes
QSFP-100G-SR4 & QSFP-100G-XSR4	4x25G to interoperate with 25GBASE-SR. Care must be taken to use the same forward error correction (FEC) mode on both ends to link-up.
QSFP-100G-PSM4	4x25G to interoperate with 25GBASE-LR. Care must be taken to use the same forward error correction (FEC) mode on both ends to link-up.

Table 2: Arista 100G Transceivers Breakout Options

QSFP200 SKU	QSFP 200 Port Configuration	Fiber type	Optical modulation	Breakout port SKUs
QSFP-200-SR4	4x 50G	Parallel MMF (4 fiber pairs), 100m reach	50G PAM-4	4x 50G-SR SFPs
	4x 25G		25G NRZ	4x 25G-SR SFPs (SFP-25G-SR / SFP-25G-MR-SR)
	2x 100G-2		50G PAM-4	2x 100G-SR2 optics (This mode is less common. It can be used to breakout QSFP-200G-SR4 2x 100G-SR2 QSFPs or 2x 100G-SR2 SFP-DD/DSFPs)*

\* Arista does not provide 100G-SR2 QSFPs, SFP-DDs or DSFPs at this time. This breakout mode may be used with third party 100G-SR2 optics.

Table 3: Arista 200G Transceivers Breakout Options

Note: The information on this page is taken from the following Arista documents:

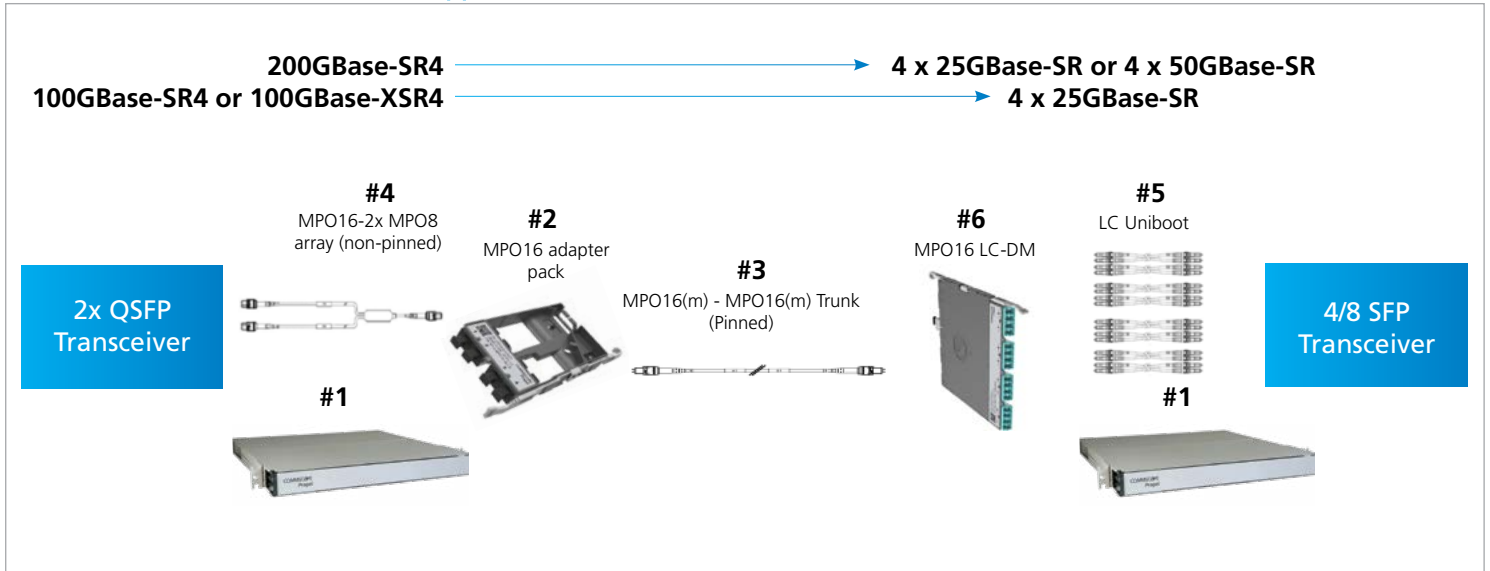
[Arista 100G Transceivers & Cables Q&A](#)

[Arista 200G Transceivers & Cables](#)

# Arista 100G/200G Transceiver Breakout Options using the Propel Cabling System

## Multimode Fiber Applications

## MPO-16 Based



**Item #1** Propels Patch Panels (see Panel Index)

## Item #2

	Material ID	Product Number	Description	Fiber Type	Fiber Count	Front Interface	Rear Interface
<b>16-fiber adapter packs</b>							
18 per 1 RU	760252806	PPL-AP-4-MPO16-ALL-B	Propel pass-through adapter pack, Type B	All	64	4 MPO16 Key Up with dust caps	4 MPO16 Key Up with dust caps
12 per 1 RU	760252805	PPL-AP-6-MPO16-ALL-B	Propel pass-through adapter pack, Type B	All	96	6 MPO16 Key Up with dust caps	6 MPO16 Key Up with dust caps
9 per 1RU	760252804	PPL-AP-8-MPO16-ALL-B	Propel pass-through adapter pack, Type B	All	128	8 MPO16 Key Up with dust caps	8 MPO16 Key Up with dust caps
6 per 1RU	760252803	PPL-AP-12-MPO16-ALL-B	Propel pass-through adapter pack, Type B	All	192	12 MPO16 Key Up with dust caps	12 MPO16 Key Up with dust caps

## Item #3 MPO16 multimode APC trunk cables

1 U	2 G	3 X	4 R	5 Z	6 R	7 Z	8 8	9 R	10 -	11 M	12 J	13 F	14-16 010
Construction type U Ultra-low loss	Cable family 3 Trunk, LSZH CPR B2ca G Trunk, Plenum J Trunk, Dual Rated (OFNR/LSZH)	Fiber type X OM4 multimode V OM5 WB multimode	Connector 1 RZ 16f MPO MM APC (Pinned)	Connector 2 RZ 16f MPO MM APC (Pinned)	Cordage size 8 16f PnP Trunk, 3.0mm SU	Fiber count R 16-fiber S 32-fiber H 48-fiber U 64-fiber L 96-fiber Q 128-fiber M 144-fiber N 192-fiber	Color M OM4 Aqua N OM5 Lime green	Breakout length J 22" Break Propel No Pull Grip K 22" Break Propel Pull Grip	UOM F Feet M Meter	Length 010-999 ft 003-305 m			

Select options for final part number

Continued on next page



# Arista 100G/200G Transceiver Breakout Options using the Propel Cabling System

## Item #4 MPO16 multimode APC conversion array cords

<b>1</b> U	<b>2</b> Q	<b>3</b> X	<b>4</b> R	<b>5</b> V	<b>6</b> Q	<b>7</b> P	<b>8</b> 7	<b>9</b> R	<b>10</b> -	<b>11</b> M	<b>12</b> D	<b>13</b> F	<b>14-16</b> 003
Construction type U Ultra-low loss	Cable family Q Plenum Array R Dual Rated (OFNR/LSZH)	Fiber type X OM4 multimode V OM5 WB multimode	Connector 1 RV 16f MPO MM APC (Non-Pinned)	Connector 2 QP 8f MPO MM UPC (Non-Pinned)	Cordage size 7 16f PmP Array Cord, 3mm	Fiber count R 16-fiber	Color M OM4 Aqua N OM5 Lime green	Breakout length D 12" E 24" H 48" L 72"	UOM F Feet M Meter	Length 12 in 3-999 ft 24 in 4-999 ft 48 in 6-999 ft 72 in 8-999 ft 12 in 1-305 m 24-48 in 2-305 m 72 in 3-305 m			

Select options for final part number

## Item #5 SYSTIMAX Uniboot patch cords

<b>1</b> U	<b>2</b> D	<b>3</b> X	<b>4</b> L U	<b>5</b> L U	<b>6</b> 6	<b>7</b> 2	<b>8</b> -	<b>9</b> X	<b>10</b> F	<b>11-12</b> 010
Construction type U Ultra-low loss	Cable family D Plenum F LSZH/Riser	Fiber type X OM4 multimode V OM5 WB multimode	Connector 1 LU LC Uniboot	Connector 2 LU LC Uniboot	Cordage size K 1.5mm 6 2.0mm	Fiber count 2 2-fiber	Color M OM4 Aqua N OM5 Lime green	Breakout length X No gland	UOM F Feet M Meter	Length 2-200 Feet 1-061 Meter

Select options for final part number

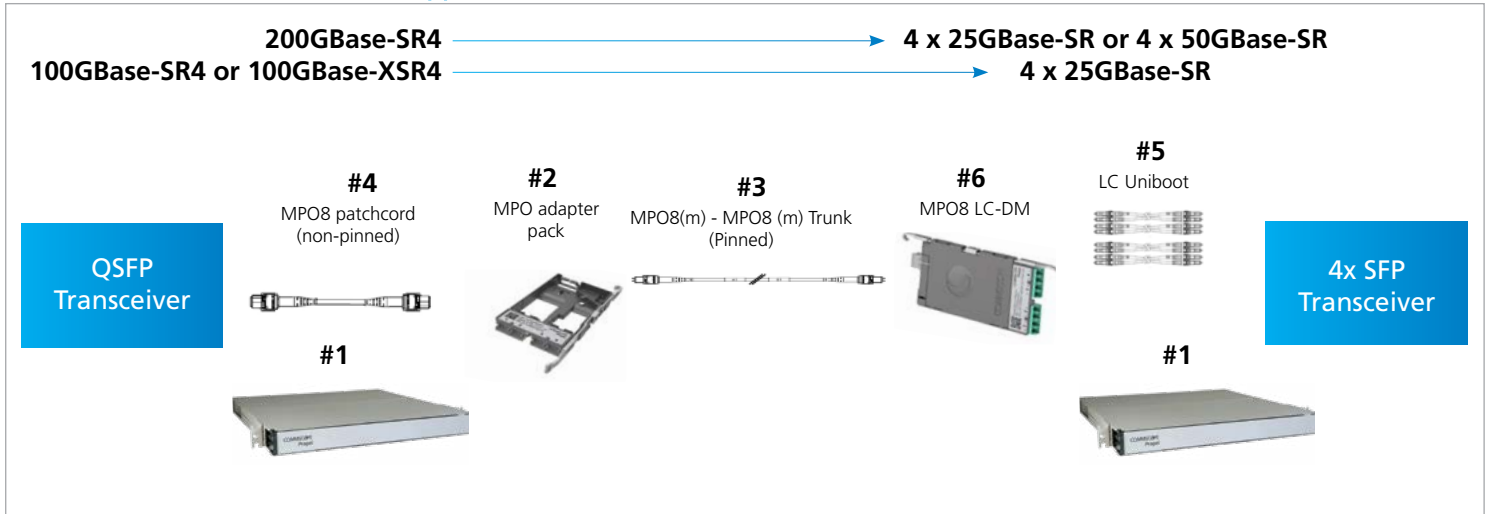
## Item #6

	Material ID	Product Number	Description	Fiber Type	Fiber Count	Front Interface	Rear Interface
<b>MPO16 modules</b>							
9 per 1RU	760252353	PPL-DM-16AU-16LC-OM4-BEU	Propel ULL Distribution Module, Method B Enhanced	OM4	16	8 duplex LCs with internal shutters	1 MPO16/APC non-pinned with dust cap
	760252354	PPL-DM-16AU-16LC-OM5-BEU	Propel ULL Distribution Module, Method B Enhanced	OM5	16	8 duplex LCs with internal shutters	1 MPO16/APC non-pinned with dust cap

# Arista 100G/200G Transceiver Breakout Options using the Propel Cabling System

## Multimode Fiber Applications

## MPO-8 Based



**Item #1** Propel Patch Panels (see Panel Index)

## Item #2

	Material ID	Product Number	Description	Fiber Type	Fiber Count	Front Interface	Rear Interface
<b>8-fiber adapter packs</b>							
18 per 1RU	760252371	PPL-AP-4-MPO-ALL-B	Propel pass-through adapter pack, Type B	All	32	4 MPO8 Key Up with internal shutters	4 MPO8 Key Up with dust caps

## Item #3 MPO8 multimode UPC trunk cables

<b>1</b> U	<b>2</b> G	<b>3</b> X	<b>4</b> Q	<b>5</b> X	<b>6</b> Q	<b>7</b> X	<b>8</b> T	<b>9</b> 8	<b>10</b> -	<b>11</b> M	<b>12</b> J	<b>13</b> F	<b>14-16</b> 010
Construction type U Ultra-low loss	Cable family 3 Trunk, LSZH CPR B2ca G Trunk, Plenum J Trunk, Dual Rated (OFNR/LSZH)	Fiber type X OM4 multimode V OM5 WB multimode	Connector 1 QX 8f MPO MM UPC (Pinned)	Connector 2 QX 8f MPO MM UPC (Pinned)	Cordage size T 8f PmP Trunk, 2.0mm SU	Fiber count 8 8-fiber R 16-fiber F 24-fiber S 32-fiber H 48-fiber U 64-fiber K 72-fiber L 96-fiber M 144-fiber N 192-fiber	Color M OM4 Aqua N OM5 Lime green	Breakout length J 22" Break Propel No Pull Grip K 22" Break Propel Pull Grip	UOM F Feet M Meter	Length 010-999 ft 003-305 m	Select options for final part number		

Continued on next page

# Arista 100G/200G Transceiver Breakout Options using the Propel Cabling System

## Item #4 MPO8 multimode UPC patch cords

1 U	2 Q	3 X	4 Q	5 V	6 Q	7 V	8 F	9 8	10 -	11 M	12 A	13 F	14-16 010
Construction type U Ultra-low loss	Cable family Q Plenum Array R Dual Rated (OFNR/LSZH)	Fiber type X OM4 multimode V OM5 WB multimode	Connector 1 QV 8f MPO MM UPC (Non-pinned)	Connector 2 QV 8f MPO MM UPC (Non-pinned)	Cordage size F 8f PmP Array Cord, 2mm	Fiber count 8 8-fiber	Color M OM4 Aqua N OM5 Lime green	Breakout length A No Gland	UOM F Feet M Meter	Length 003-999 ft 001-305 m			

Select options for final part number

## Item #5 SYSTIMAX Uniboot patch cords

1 U	2 D	3 X	4 L	5 U	6 6	7 2	8 -	9 X	10 F	11-12 010
Construction type U Ultra-low loss	Cable family D Plenum F LSZH/Riser	Fiber type X OM4 multimode V OM5 WB multimode	Connector 1 LU LC Uniboot	Connector 2 LU LC Uniboot	Cordage size K 1.5mm 6 2.0mm	Fiber count 2 2-fiber	Color M OM4 Aqua N OM5 Lime green	Breakout length X No gland	UOM F Feet M Meter	Length 2-200 Feet 1-061 Meter

Select options for final part number

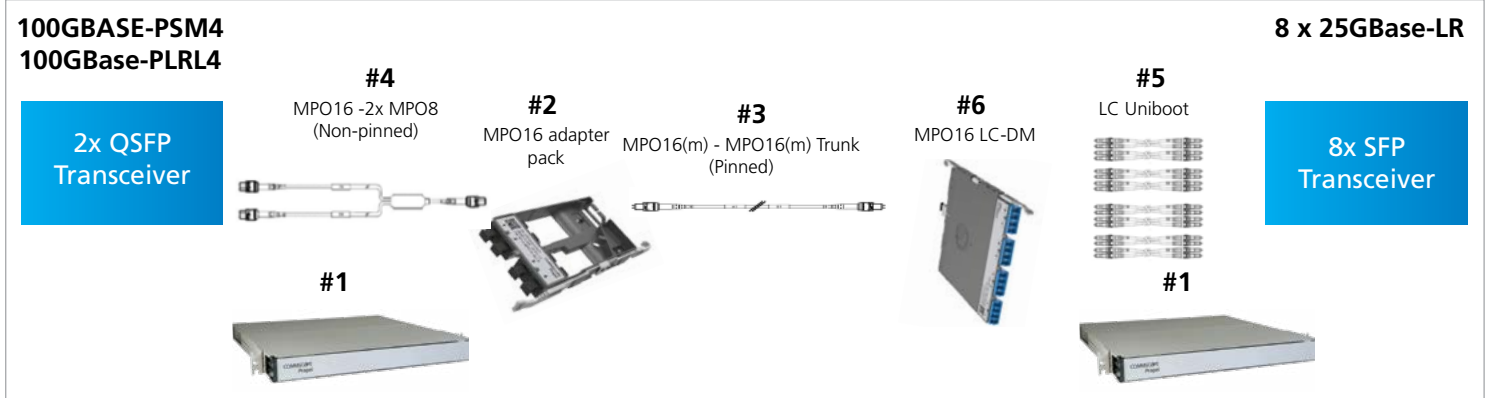
## Item #6

	Material ID	Product Number	Description	Fiber Type	Fiber Count	Front Interface	Rear Interface
<b>MPO8 Modules with MPO/UPC in multimode</b>							
18 per 1RU	760252332	PPL-DM-8U-8LC-OM4-BEU	Propel ULL Distribution Module, Method B Enhanced	OM4	8	4 duplex LCs with internal shutters	1 MPO8 non-pinned with internal shutter
	760252333	PPL-DM-8U-8LC-OM5-BEU	Propel ULL Distribution Module, Method B Enhanced	OM5	8	4 duplex LCs with internal shutters	1 MPO8 non-pinned with internal shutter

# Arista 100G Transceiver Breakout Options using the Propel Cabling System

## Singlemode Fiber Applications

## MPO-16 Based



**Item #1** Propel Patch Panels (see Panel Index)

### Item #2

	Material ID	Product Number	Description	Fiber Type	Fiber Count	Front Interface	Rear Interface
<b>16-fiber adapter packs</b>							
18 per 1 RU	760252806	PPL-AP-4-MPO16-ALL-B	Propel pass-through adapter pack, Type B	All	64	4 MPO16 Key Up with dust caps	4 MPO16 Key Up with dust caps
12 per 1 RU	760252805	PPL-AP-6-MPO16-ALL-B	Propel pass-through adapter pack, Type B	All	96	6 MPO16 Key Up with dust caps	6 MPO16 Key Up with dust caps
9 per 1RU	760252804	PPL-AP-8-MPO16-ALL-B	Propel pass-through adapter pack, Type B	All	128	8 MPO16 Key Up with dust caps	8 MPO16 Key Up with dust caps
6 per 1RU	760252803	PPL-AP-12-MPO16-ALL-B	Propel pass-through adapter pack, Type B	All	192	12 MPO16 Key Up with dust caps	12 MPO16 Key Up with dust caps

### Item #3 MPO16 singlemode APC trunk cables

1 U	2 G	3 G	4 R	5 X	6 R	7 X	8 8	9 R	10 -	11 J	12 J	13 F	14-16 010
Construction type U Ultra-low loss	Cable family 3 Trunk, LSZH CPR B2ca G Trunk, Plenum J Trunk, Dual Rated (OFNR/LSZH)	Fiber type G Singlemode (AZ)	Connector 1 RX 16f MPO SM APC (Pinned)	Connector 2 RX 16f MPO SM APC (Pinned)	Cordage size 8 16f PmP Trunk, 3.0mm SU	Fiber count R 16-fiber S 32-fiber H 48-fiber U 64-fiber L 96-fiber Q 128-fiber M 144-fiber N 192-fiber	Color J Yellow	Breakout length J 22" Break Propel No Pull Grip K 22" Break Propel Pull Grip	UOM F Feet M Meter	Length 010-999 ft 003-305 m			

Select options for final part number

Continued on next page

# Arista 100G Transceiver Breakout Options using the Propel Cabling System

## Item #4 MPO16 singlemode APC conversion array cords

<b>1</b> U	<b>2</b> Q	<b>3</b> G	<b>4</b> R	<b>5</b> P	<b>6</b> Q	<b>7</b> P	<b>8</b> 7	<b>9</b> R	<b>10</b> -	<b>11</b> J	<b>12</b> D	<b>13</b> F	<b>14-16</b> 003
Construction type U Ultra-low loss	Cable family Q Plenum Array R Dual Rated (OFNR/LSZH)	Fiber type G Singlemode (A2)	Connector 1 RP 16f MPO SM APC (Non-Pinned)	Connector 2 QP 8f MPO SM APC (Non-Pinned)	Cordage size 7 16f PmP Array Cord, 3mm	Fiber count R 16-fiber	Color J Yellow	Breakout length D 12" E 24" H 48" L 72"	UOM F Feet M Meter	Length 12 in 3-999 ft 24 in 4-999 ft 48 in 6-999 ft 72 in 8-999 ft 12 in 1-305 m 24-48 in 2-305 m 72 in 3-305 m			

Select options for final part number

## Item #5 SYSTIMAX Uniboot patch cords

<b>1</b> U	<b>2</b> D	<b>3</b> G	<b>4</b> L	<b>5</b> U	<b>6</b> 6	<b>7</b> 2	<b>8</b> -	<b>9</b> X	<b>10</b> F	<b>11-12</b> 010
Construction type U Ultra-low loss	Cable family D Plenum F LSZH/Riser	Fiber type G Singlemode (A2)	Connector 1 LU LC Uniboot	Connector 2 LU LC Uniboot	Cordage size K 1.5mm 6 2.0mm	Fiber count 2 2-fiber	Color J Yellow	Breakout length X No gland	UOM F Feet M Meter	Length 2-200 Feet 1-061 Meter

Select options for final part number

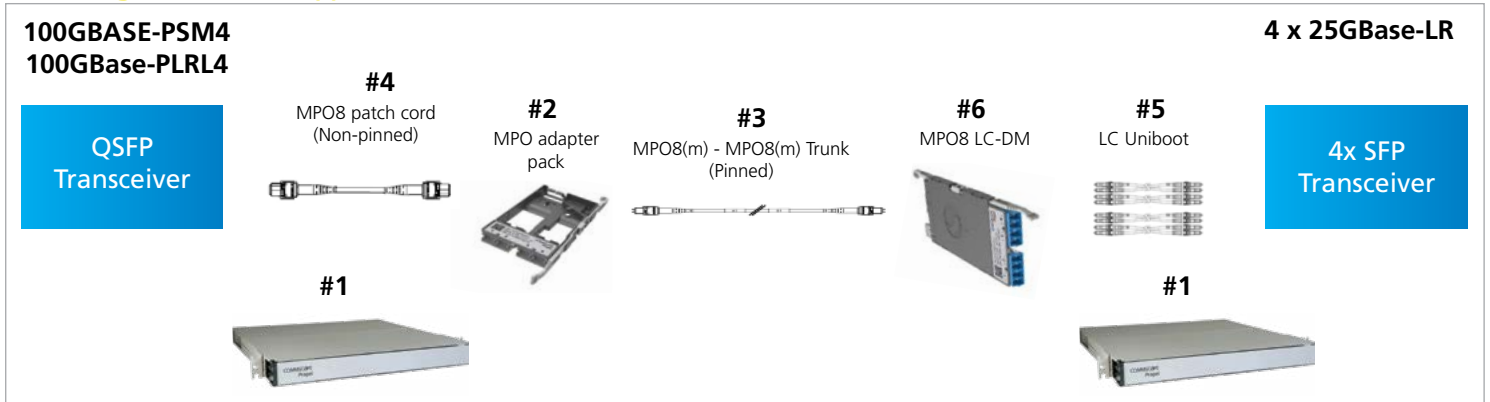
## Item #6

	Material ID	Product Number	Description	Fiber Type	Fiber Count	Front Interface	Rear Interface
<b>MPO16 modules</b>							
9 per 1RU	760252352	PPL-DM-16AU-16LC-SM-BEU	Propel ULL Distribution Module, Method B Enhanced	OS2	16	8 duplex LCs with internal shutters	1 MPO16/APC non-pinned with dust cap

# Arista 100G Transceiver Breakout Options using the Propel Cabling System

## Singlemode Fiber Applications

## MPO-8 Based



**Item #1** Propell Patch Panels (see Panel Index)

### Item #2

	Material ID	Product Number	Description	Fiber Type	Fiber Count	Front Interface	Rear Interface
<b>8-fiber adapter packs</b>							
18 per 1RU	760252371	PPL-AP-4-MPO-ALL-B	Propell pass-through adapter pack, Type B	All	32	4 MPO8 Key Up with internal shutters	4 MPO8 Key Up with dust caps

### Item #3 MPO8 singlemode APC trunk cables

<b>1</b> U	<b>2</b> G	<b>3</b> G	<b>4</b> Q	<b>5</b> X	<b>6</b> Q	<b>7</b> X	<b>8</b> T	<b>9</b> 8	<b>10</b> -	<b>11</b> J	<b>12</b> J	<b>13</b> F	<b>14-16</b> 010
Construction type U Ultra-low loss	Cable family 3 Trunk, LSZH CPR B2ca G Trunk, Plenum J Trunk, Dual Rated (OFNR/LSZH)	Fiber type G Singlemode (A2)	Connector 1 QX 8f MPO SM APC (Pinned)	Connector 2 QX 8f MPO SM APC (Pinned)	Cordage size T 8f PmP Trunk, 2.0mm SU	Fiber count 8 8-fiber R 16-fiber F 24-fiber S 32-fiber H 48-fiber U 64-fiber K 72-fiber L 96-fiber M 144-fiber N 192-fiber	Color J Yellow	Breakout length J 22" Break Propell No Pull Grip K 22" Break Propell Pull Grip	UOM F Feet M Meter	Length 010-999 ft 003-305 m	Select options for final part number		

### Item #4 MPO8 singlemode APC patch cord

<b>1</b> U	<b>2</b> Q	<b>3</b> G	<b>4</b> Q	<b>5</b> P	<b>6</b> Q	<b>7</b> P	<b>8</b> F	<b>9</b> 8	<b>10</b> -	<b>11</b> J	<b>12</b> A	<b>13</b> F	<b>14-16</b> 010
Construction type U Ultra-low loss	Cable family Q Plenum Array R Dual Rated (OFNR/LSZH)	Fiber type G Singlemode (A2)	Connector 1 QP 8f MPO SM APC (Non-pinned)	Connector 2 QP 8f MPO SM APC (Non-pinned)	Cordage size F 8f PmP Array Cord, 2mm	Fiber count 8 8-fiber	Color J Yellow	Breakout length A No Gland	UOM F Feet M Meter	Length 003-999 ft 001-305 m	Select options for final part number		

Continued on next page

# Arista 100G Transceiver Breakout Options using the Propel Cabling System

## Item #5 SYSTIMAX Uniboot patch cords

<b>1</b> U	<b>2</b> D	<b>3</b> G	<b>4</b> L U	<b>5</b> L U	<b>6</b> 6	<b>7 - 8</b> 2 - J	<b>9</b> X	<b>10</b> F	<b>11-12</b> 010	
Construction type U Ultra-low loss	Cable family D Plenum F LSZH/Riser	Fiber type G Singlemode (A2)	Connector 1 LU LC Uniboot	Connector 2 LU LC Uniboot	Cordage size K 1.5mm 6 2.0mm	Fiber count 2 2-fiber	Color J Yellow	Breakout length X No gland	UOM F Feet M Meter	Length 2-200 Feet 1-061 Meter

Select options for final part number

## Item #6

	Material ID	Product Number	Description	Fiber Type	Fiber Count	Front Interface	Rear Interface
<b>MPO8 Modules with MPO in singlemode</b>							
18 per 1RU	760252334	PPL-DM-8AU-8LC-SM-BEU	Propel ULL Distribution Module, Method B Enhanced	OS2	8	4 duplex LCs with internal shutters	1 MPO8/APC non-pinned with internal shutter

# Panel Index



## Propel Panels

Product Number	Description	Material ID
PPL-1U	Propel 1RU sliding panel	760252002
PPL-2U	Propel 2RU sliding panel	760252003
PPL-4U	Propel 4RU sliding panel	760252004

## Propel Panel Capacity-Adapter Packs/Module by Size

LC Duplex = MPO Ports		8-fiber	12-fiber	16-fiber	24-fiber
	Ports	6/blade	4/blade	3/blade	2/blade
<b>1RU</b>	72	18	12	9	6
<b>2RU</b>	144	36	24	18	12
<b>4RU</b>	288	72	48	36	24



CommScope pushes the boundaries of communications technology with game-changing ideas and ground-breaking discoveries that spark profound human achievement. We collaborate with our customers and partners to design, create and build the world's most advanced networks. It is our passion and commitment to identify the next opportunity and realize a better tomorrow. Discover more at [commscope.com](https://commscope.com).

**COMMSCOPE®**

---

[commscope.com](https://commscope.com)

Visit our website or contact your local CommScope representative for more information.

© 2023 CommScope, Inc. All rights reserved.

All trademarks identified by ™ or ® are trademarks or registered trademarks in the US and may be registered in other countries. All product names, trademarks and registered trademarks are property of their respective owners. This document is for planning purposes only and is not intended to modify or supplement any specifications or warranties relating to CommScope products or services.

ARISTA is a registered trademark owned by Arista Networks, Inc.

CO-117601-EN (10/23)