

# ARISTA



## Quick Start Guide

### Edge Threat Management Appliance

**CCA-ETM-Q12**

**Arista Networks**

[www.arista.com](http://www.arista.com)

DOC-06002-02

<b>Headquarters</b> 5453 Great America Parkway, Santa Clara, CA 95054 USA +1-408 547-5500	<b>Support</b> +1-408 547-5502 +1-866 476-0000	<b>Sales</b> +1-408 547-5501 +1-866 497-0000
<a href="https://www.arista.com/en/">https://www.arista.com/en/</a>	<a href="mailto:support@arista.com">mailto:support@arista.com</a>	<a href="mailto:support@arista.com">mailto:support@arista.com</a>

© Copyright 2023 Arista Networks, Inc. All rights reserved. The information contained herein is subject to change without notice. The trademarks, logos and service marks ("Marks") displayed in this documentation are the property of Arista Networks in the United States and other countries. Use of the Marks are subject to Arista Network Term of Use Policy, available at <http://www.arista.com/en/terms-of-use>. Use of marks belonging to other parties is for informational purposes only.

# Contents

<b>Chapter 1: Overview</b> .....	<b>1</b>
1.1 Scope.....	1
1.2 Receiving and Inspecting the Equipment.....	1
1.3 Installation Process.....	2
1.4 Safety Information.....	2
1.5 Obtaining Technical Assistance.....	3
1.6 Specifications.....	3
<b>Chapter 2: Preparation</b> .....	<b>5</b>
2.1 Site Selection.....	5
2.2 Tools Required for Installation.....	6
2.3 Electrostatic Discharge (ESD) Precautions.....	6
<b>Chapter 3: Mounting the Appliance</b> .....	<b>7</b>
3.1 Rack Mounting the Appliance.....	8
<b>Chapter 4: Cabling the Appliance</b> .....	<b>11</b>
<b>Chapter 5: Configuring the Appliance</b> .....	<b>13</b>
<b>Appendix A: Status Indicators</b> .....	<b>15</b>
A.1 Front Status Indicators.....	15
<b>Appendix B: Parts List</b> .....	<b>17</b>
<b>Appendix C: Front Panel</b> .....	<b>19</b>
<b>Appendix D: Rear Panel</b> .....	<b>21</b>
<b>Appendix E: Regulatory Model Numbers</b> .....	<b>23</b>
<b>Appendix F: Taiwan RoHS Information</b> .....	<b>25</b>

## Overview

---

This Quick Start Guide (QSG) describes the CCA-ETM-Q12 appliance.

This chapter contains the following topics:

- [Scope](#)
- [Receiving and Inspecting the Equipment](#)
- [Installation Process](#)
- [Safety Information](#)
- [Obtaining Technical Assistance](#)
- [Specifications](#)

### 1.1 Scope

This guide is intended for properly trained service personnel and technicians who need to install the following Arista appliance:

This guide covers the CCA-ETM-Q12 appliance.



**Important:**

Only qualified personnel should install, service, or replace this equipment.

Seul le personnel qualifié doit installer, service, ou remplacer cet équipement.

### 1.2 Receiving and Inspecting the Equipment

Upon receiving the appliance, inspect the shipping boxes and record any external damage. Retain packing materials if you suspect that part of the shipment is damaged; the carrier may need to inspect them.

If the boxes were not damaged in transit, unpack them carefully. Ensure that you do not discard any accessories that may be packaged in the same box as the main unit.

Inspect the packing list and confirm that you received all listed items. Compare the packing list with your purchase order. The [Parts List](#) provides a list of components included with the appliance.

## 1.3 Installation Process

The following tasks are required to install and use the appliance:

1. Select and prepare the installation site ([Site Selection](#)).
2. Assemble the installation tools listed ([Tools Required for Installation](#)).
3. Install the appliance ([Mounting the Appliance](#)).
4. Connect the device to the power source and network appliances ([Cabling the Appliance](#)).
5. Configure the appliance ([Configuring the Appliance](#)).



### Important:

**Class 1 Laser Product:** This product has provisions to install Class 1 laser transceivers which provide optical coupling to the communication network. Once a Class 1 laser product is installed, the equipment is a Class 1 Laser Product. The customer is responsible for selecting and installing the Class 1 laser transceiver and for insuring that the Class 1 AEL (Allowable Emission Limit) per EN/IEC 60825, CSA E60825-1, and Code of Federal Regulations 21 CFR 1040 is not exceeded after the laser transceiver have been installed. Do not install laser products whose class rating is greater than 1. Refer to all safety instructions that accompanied the transceiver prior to installation. Only Class 1 laser devices, certified for use in the country of installation by the cognizant agency are to be utilized in this product.

**Produit Laser de classe 1:** Ce produit a des dispositions pour installer des émetteurs-récepteurs de laser de classe 1 qui offre de couplage au réseau de communication optique. Une fois un produit laser de classe 1 est installé, l'équipement est un produit Laser de classe 1 (Appareil à Laser de Classe 1). Le client est responsable pour sélectionner et installer l'émetteur/récepteur de laser de classe 1 et pour assurer que la classe 1 AEL (limite d'émission admissible) par EN/IEC 6-825, CSA E60825-1, et Code des règlements fédéraux 21 CFR 1040 ne soit pas dépassée après avoir installé l'émetteur/récepteur de laser. Ne pas installer des appareils à laser dont la cote de classe est supérieure à 1. Voir toutes les consignes de sécurité qui ont accompagné l'émetteur-récepteur avant l'installation. Seuls appareils laser de classe 1 certifiés pour une utilisation dans le pays d'installation par l'organisme compétent doivent être utilisées dans ce produit.



### Important:

Ultimate disposal of this product should be handled in accordance with all national laws and regulations.

Aucune pièce réparable par l'utilisateur à l'intérieur. Confiez toute réparation à un technicien qualifié.

## 1.4 Safety Information

Refer to the Arista Networks document *Safety Information and Translated Safety Warnings* available at: <https://www.arista.com/en/support/product-documentation>.

## 1.5 Obtaining Technical Assistance

Any customer, partner, reseller, or distributor holding a valid Arista Service Contract can obtain technical support in any of the following ways:

- **Email:** <http://support@arista.com>. This is the easiest way to create a new service request.
- **Web:** <https://www.arista.com/en/support>.

A support case may be created through the support portal on our website. You may also download the most current software and documentation, as well as view FAQs, Knowledge Base articles, Security Advisories, and Field Notices.

- **Phone:** +1 866-476-0000 or +1 408-547-5502.



### Important:

No user serviceable parts inside. Refer all servicing to qualified service personnel.

Aucune pièce réparable par l'utilisateur à l'intérieur. Confiez toute réparation à un technicien qualifié.

## 1.6 Specifications

This section lists the specifications of the CCA-ETM-Q12.

**Table 1: Appliance Specifications (Dimensions and Weights)**

Appliance	Size (W x D x H)	Weight
CCA-ETM-Q12	438mm x 429mm x 44mm	6.4 kg

**Table 2: Appliance Specifications (Operational and Storage)**

Appliance	Operating Temperature & Humidity	Storage Temperature & Humidity	Operating Altitude
CCA-ETM-Q12	0 to 40°C 20% - 80%	-10 to 70°C 5 to 95% RH @ 55°C	0 to 2000 meters

**Table 3: Appliance Specifications (Power Input)**

Power Source (PSU)	Rating
250W	100-240V

## Preparation

---

This section describes the initial setup and preparation for installing the CCA-ETM-Q12.

This chapters contains the following topics:

- [Site Selection](#)
- [Tools Required for Installation](#)
- [Electrostatic Discharge \(ESD\) Precautions](#)

### 2.1 Site Selection

The following criteria should be considered when selecting a site to install the appliance.

- **Temperature and Ventilation:** For proper ventilation, install the appliance where there is ample airflow to the front and back of the appliance. The ambient temperature should not go below 0° or exceed 40°C.



**Important:** To prevent the appliance from overheating, do not operate it in an area where the ambient temperature exceeds 40°C (104°F).

Pour empêcher l'interrupteur de surchauffe, ne pas utiliser il dans une zone où la température ambiante est supérieure à 40°C (104°F).

- **Airflow Orientation:** The airflow of the appliance travels from front to back.
- **Rack Space:** Install the appliance in a 19" rack or cabinet. The appliance height is 1 RU. The rack mounting kit provides mounting brackets for four-post racks.

When mounting the appliance in a partially filled rack, load the rack from bottom to top, with the heaviest equipment at the bottom. Load the appliance at the bottom if it is the only item in the rack.

- **Other Requirements:** Select a site where liquids or objects cannot fall onto the equipment and foreign objects are not drawn into the ventilation holes. Verify these guidelines are met:
  - Clearance areas to the front and rear panels allow for unrestricted cabling.
  - All front and rear panel indicators can be easily read.
  - Power cords can reach from the power outlet to the connector on the rear panel.



**Important:** All power connections must be removed to de-energize the unit.

Toutes les connexions d'alimentation doivent être enlevées pour hors tension l'appareil.

## 2.2 Tools Required for Installation

These are the tools needed to install the CCA-EMT-Q12 appliance.

**Table 4: Tools required for installation**

- 1 #2 Phillips screwdriver

## 2.3 Electrostatic Discharge (ESD) Precautions

Observe these guidelines to avoid ESD damage when installing or servicing the appliance.

- Assemble or disassemble equipment only in a static-free work area.
- Use a conductive work surface (such as an anti-static mat) to dissipate static charge.
- Wear a conductive wrist strap to dissipate static charge accumulation.
- Minimize handling of assemblies and components.
- Keep replacement parts in their original static-free packaging.
- Remove all plastic, foam, vinyl, paper, and other static-generating materials from the work area.
- Use tools that do not create ESD.



## Mounting the Appliance

---

The appliance is mounted onto a four-post rack by preparing the chassis for mounting, then securing the appliance to the front posts using the mounting brackets, followed by securing it to the rear posts.

The installation kit provides the following four-post mounting parts:

- Two front mounting brackets.
- Two rails.
- Two rail caps.
- Six screws for the front mounting brackets.
- Ten screws to attach the side rails to the chassis and the rail caps to the rails.

See illustration at [Parts List](#).

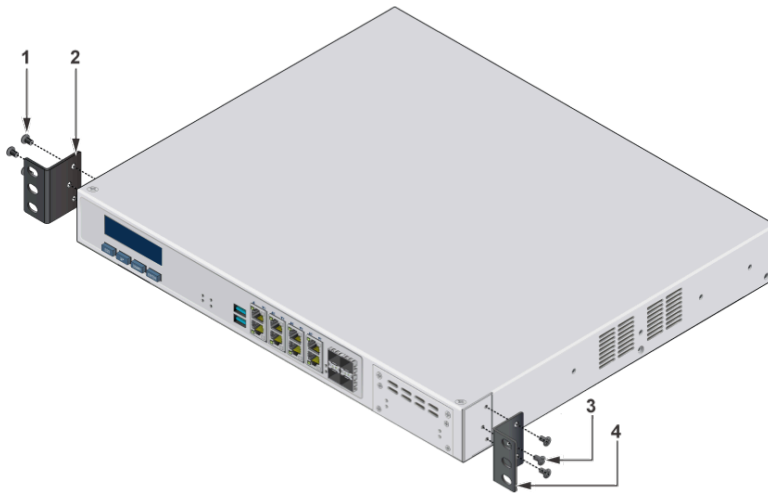


**Note:** Each chassis side has holes that allow for the attachment of the slide rails. Ensure that the rails are attached symmetrically to the left and right sides of the chassis and the slides can be extended to connect with the rear rack posts. Depending on the depth of the rear rack, the number of screws required will vary.



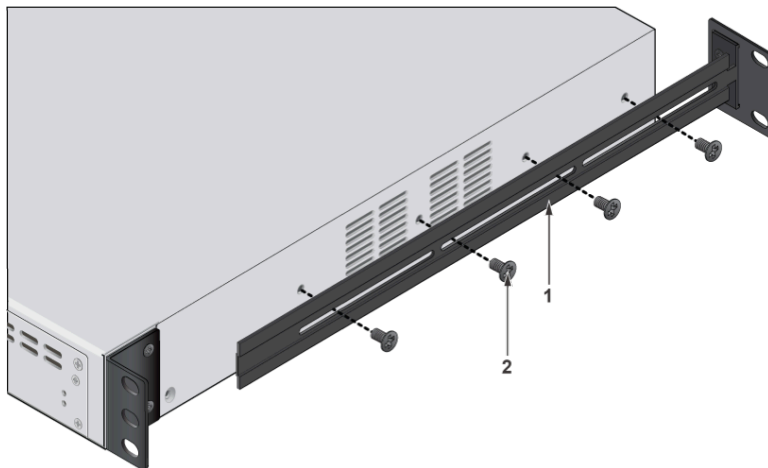
**Note:** A minimum of three screws is recommended for each slide rail.

### 3.1 Rack Mounting the Appliance



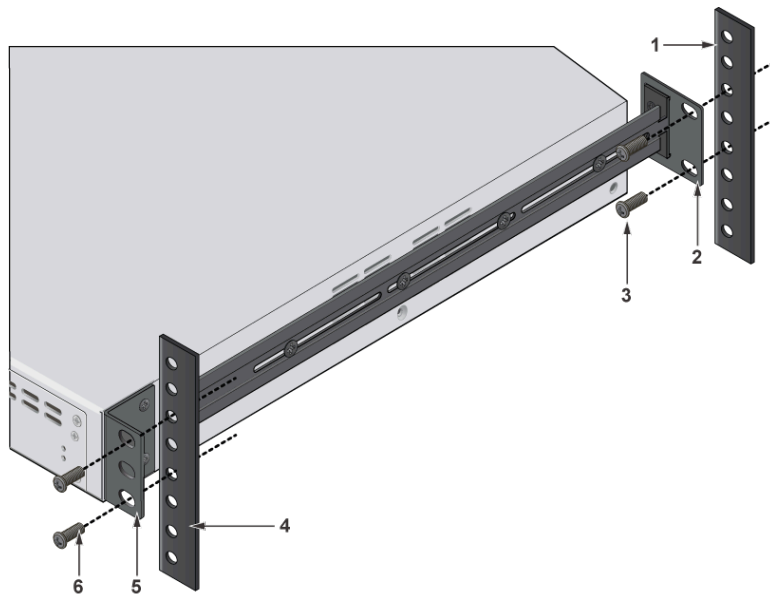
- |                   |                   |
|-------------------|-------------------|
| 1 Mounting screws | 3 Mounting screws |
| 2 Left bracket    | 4 Right bracket   |

1. Align the left bracket to the left face plate.
2. Attach the left front mounting bracket using three mounting screws.
3. Align the right bracket to the right face plate.
4. Attach the right front mounting bracket using three mounting screws.



- |                 |                   |
|-----------------|-------------------|
| 1 Mounting rail | 2 Mounting screws |
|-----------------|-------------------|

1. Align the left rail to the four holes on the left side of the appliance.
2. Attach the left rail using four mounting screws.
3. Align the right rail to the four holes on the right side of the appliance.
4. Attach the right rail using four mounting screws.



- |                   |                   |
|-------------------|-------------------|
| 1 Back rack post  | 4 Front rack post |
| 2 Back bracket    | 5 Front bracket   |
| 3 Mounting screws | 6 Mounting screws |

1. Insert the appliance into the racking at the predetermined height within the left side of the rack.
2. Attach the left rear mounting bracket using three mounting screws.
3. Attach the left front mounting bracket using three mounting screws.
4. Repeat Steps 2 and 3 for the right side appliance installation into the racking.

### Cabling the Appliance

---

This procedure is for the attachment of power and network cables to the appliance.

1. Connect an Ethernet cable from your Internet provider modem or router to the designated Internet port.
2. Connect an Ethernet cable from your management computer or LAN switch to port 1.
3. Plug in the power cable to an AC power source and connect it to the power input on the rear panel.

## Configuring the Appliance

---

You can manage your appliance using the Edge Threat Management Dashboard or from the local network.

### From Edge Threat Management Dashboard

1. Navigate your web browser to <http://edge.arista.com/cmd>.
2. Log in with your Edge Threat Management Dashboard account, or click **Create Account** to set up an account.
3. Navigate to the **Appliances** screen and click **Add**.
4. Enter the serial number located on the bottom of your appliance.
5. Click **Add** to confirm the new appliance.
6. Complete the initial setup to begin managing your appliance.

### From the Local Network

1. Connect an Ethernet cable from your management computer or LAN switch to the LAN port.
2. From your management computer, check the network status of your system and confirm that you receive an IPv4 address in the subnet of **192.168.2.0/24** (example: **192.168.2.100**).
3. In a browser, navigate to <http://192.168.2.1>.
4. Follow the steps in your browser to complete the setup.

## Status Indicators

---

### A.1 Front Status Indicators

This section describes the front panel LED status of the CCA-ETM-Q12 appliance.

**Figure 1: CCA-ETM-Q12 Front Status Indicators**



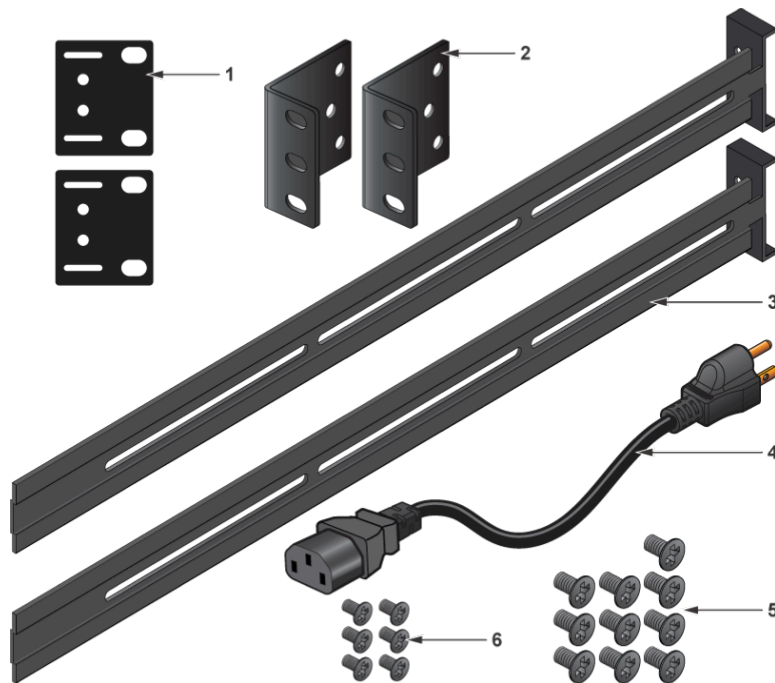
1. LAN ports

2. Storage activity

## Parts List

---

Each appliance provides an accessory kit that contains parts that are required to install the appliance. This section lists the installation parts contained in the appliance accessory kit.



- |                          |                                  |
|--------------------------|----------------------------------|
| 1. Back brackets (2)     | 4. Power cable                   |
| 2. Mounting brackets (2) | 5. Racking mounting screws (10)  |
| 3. Mounting rails (2)    | 6. Appliance mounting screws (6) |

The CCA-ETM-Q12 package includes:

- Power cable.
- Rack mounting hardware.
- The CCA-ETM-Q12 appliance.

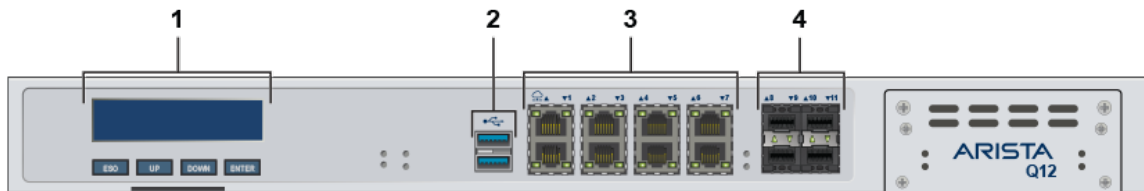
The installation kit provides the following four-post mounting parts:

- 2 front mounting brackets (left and right).
- 2 rails (left and right).
- 6 screws for the front mounting brackets.
- 10 screws to attach the side rails to the chassis and the back plates to the rails.
- 2 back plates (left and right).

## Front Panel

---

This section shows the front panel of the CCA-ETM-Q12.



1. LED screen

2. USB ports

3. LAN ports

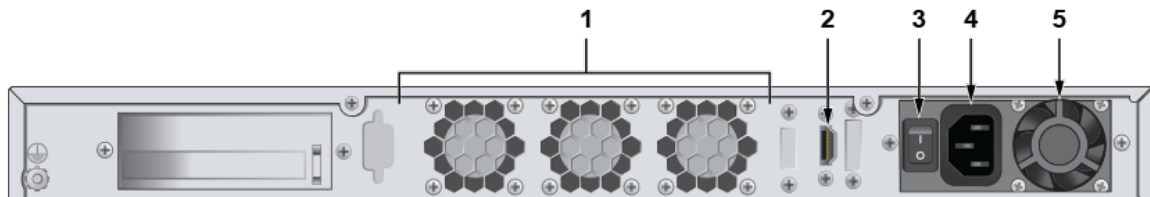
4. 1 Gbit SFP LAN ports



## Rear Panel

---

This section shows the rear panel of the CCA-ETM-Q12.



- |                     |                      |
|---------------------|----------------------|
| 1. Fans             | 4. Power cord socket |
| 2. Video out (HDMI) | 5. Fan               |
| 3. Power switch     |                      |

## Regulatory Model Numbers

---

This appendix lists the Regulatory Model Numbers (RMNs), where applicable, for the product models for the appliances described in this document.

**Table 5: Regulatory Model Numbers and Product Numbers**

Regulatory Model Number (RMN)	Product Number(s)
AN2203, CAR-3070-5C21-E90	CCA-ETM-Q12

## Taiwan RoHS Information

---

This appendix provides Taiwan RoHS information for appliances covered by this guide.

For Taiwan BSMI RoHS Table, go to <https://www.arista.com/assets/data/pdf/AristaBSMIroHS.pdf>.